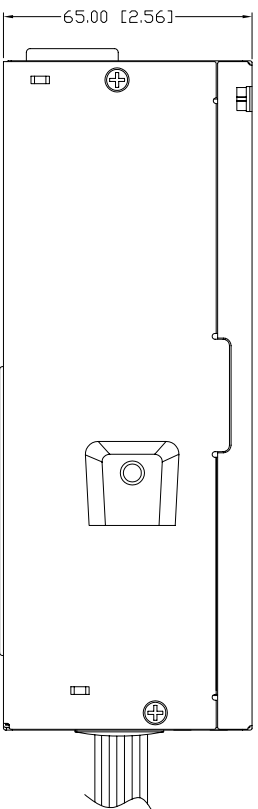
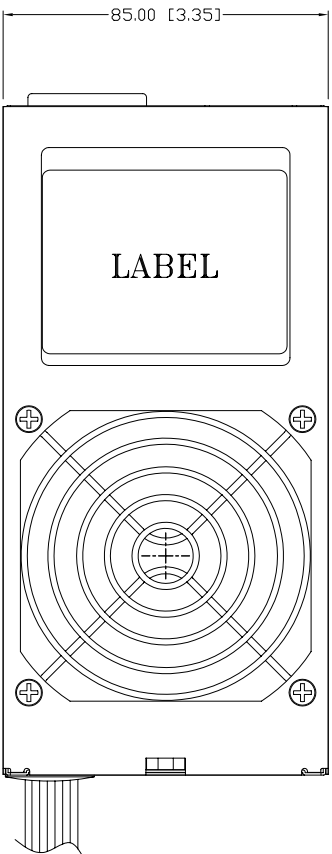


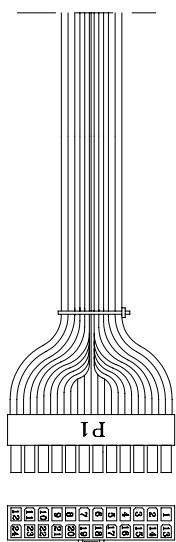
REF. ID	PN NO.	SIGNAL	WIRE COLOR	Gauge	CONNECTOR	GRADE LENGTH
P1	1	+3.3VDC	ORANGE	18	MOLEX 5015X-01- 3240 or EQUIV.	180±30mm -10
	2	+3.3VDC	ORANGE	18		
	3	COM	BLACK	18		
	4	+5VDC	RED	18		
	5	+5VDC	RED	18		
	6	COM	BLACK	18		
	7	+5VDC	RED	18		
	8	PS-ON	GRAY	24		
	9	+5VDC	PURPLE	20		
	10	+12V	YELLOW	18		
	11	+12V	YELLOW	18		
	12	+3.3VDC	ORANGE	18		
	13	+3.3VDC	BROWN	24		
	14	+3VDC	BLUE	24		
	15	COM	BLACK	18		
	16	PS-ON	GREEN	24		
	17	COM	BLACK	18		
	18	COM	BLACK	18		
	19	COM	BLACK	18		
	20	COM	BLACK	18		
PA	1	+5VDC	RED	18	AMP -480424-0 or EQUIV.	280±30mm -10
	2	+5VDC	RED	18		
	3	COM	BLACK	18		
	4	+5V	RED	18		
PB	1	+12V	YELLOW	22	AMP -4 or or EQUIV.	150±10mm
	2	COM	BLACK	22		
	3	COM	BLACK	22		
	4	+5V	RED	22		
PC	1	+12V	YELLOW	20	AMP -480424-0 or EQUIV.	150±10mm
	2	COM	BLACK	20		
	3	COM	BLACK	20		
	4	+5V	RED	20		
PD	1	COM	BLACK	18	MOLEX SP-6798-001 or EQUIV.	280±30mm -10
	2	+5V	RED	18		
	3	COM	BLACK	18		
	4	+12V	YELLOW	18		
	5	+12V	YELLOW	18		
PE	1	COM	BLACK	18	MOLEX 330±30mm -10 or EQUIV.	330±30mm -10
	2	+12V2	YEL/BLK	18		
	3	+12V2	YEL/BLK	18		
	4	+12V2	YEL/BLK	18		
	5	+12V2	YEL/BLK	18		
PF	1	COM	BLACK	18	MOLEX SP-6798-001 or EQUIV.	280±30mm -10
	2	+5V	RED	18		
	3	COM	BLACK	18		
	4	+12V	YELLOW	18		
	5	+12V	YELLOW	18		
PG	1	COM	BLACK	20	MOLEX SP-6798-001 or EQUIV.	150±10mm
	2	+5V	RED	20		
	3	+5V	RED	20		
	4	COM	BLACK	20		
	5	+12V	YELLOW	20		



AIR FLOW



AIR FLOW



P1

PA

PB

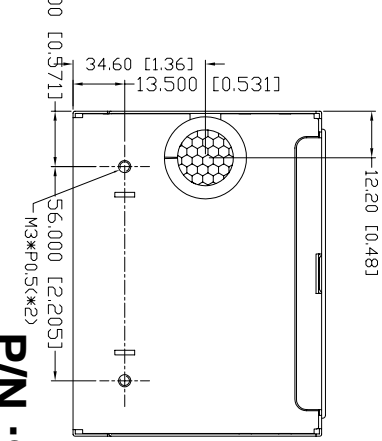
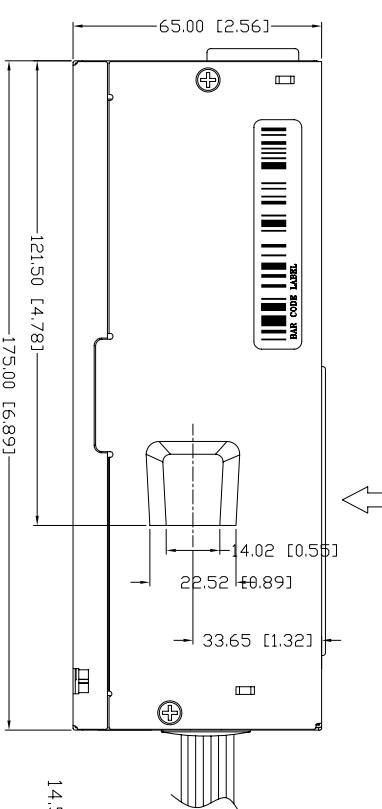
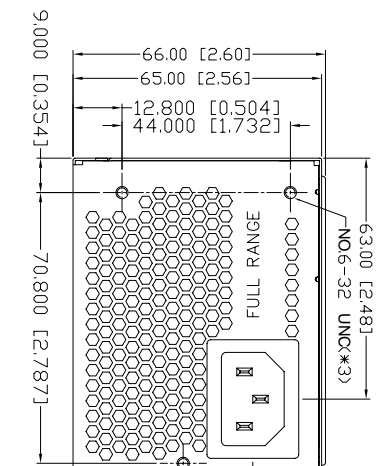
PC

PD

PE

PF

PG



P/N.:9PA300DK00

MODEL NO. : FSP300-60SGV TITLE: ASSY

R&D(1) PE DRAWN

SHEET: 1 OF 1 DATE: 9/8/2020

UNIT :mm/inch

NOTE:
1. ALL THE LENGTH OF OUTPUT WIRES EXCLUDE HOUSING.
2. 產地標籤作業務指示加貼。
3. 公差: .X=±[0.04]、.XX=±0.5 [0.02]、.XXX=±0.25 [0.01].