

Features

- For LED Indoor Office & Retail Application
- 1-10V / PWM Dimming Function
- High Reliability & Long Life 50,000hrs
- Compact Size/ Optimized Performance
- Constant Current Design/ Low Inrush Current/ Low Ripple Current
- Wide Input Range for Worldwide use (up to 305Vac)
- Low energy consumption at standby
- Protections: Short Circuit/ Open Circuit/ Over Voltage/ Over temperature
- Class 2 power unit
- 100% Burn-in Test
- Safety: Meet IEC61347-2-13, UL8750 & EMI EN55015



SPECIFICATION

| Model Name | FSP18-ZZAP(035)M | FSP18-ZZAP(050)M | FSP18-ZZAP(070)M |
|------------------------------|--|------------------|------------------|
| Rated Power | 18W | 18W | 18W |
| Output Voltage | 40-52V | 20-36V | 15-26V |
| Rated Current | 350mA | 500mA | 700mA |
| Efficiency (typ.) | 84% | 86% | 85% |
| Input Voltage/ Frequency | 120~277Vac / 47~63Hz | | |
| Power Factor (typ.) | PF≥0.9 | | |
| Turn On Delay Time,Rise time | 0.2s max / 0.5ms max. | | |
| Inrush Current (typ.) | 5A cold start | | |
| Life Time [2] | 50,000 hours | | |
| Operating Temperature | -20°C~+50°C | | |
| Output Current Accuracy | ±5% | ±5% | ±5% |
| Output Ripple Current[3] | ±5% | ±5% | ±5% |
| Line Regulation | ±0.5% | ±0.5% | ±0.5% |
| AC Current (typ.) | 0.21A max. | | |
| Leakage Current | ≤0.25mA | | |
| Operating Humidity | 20 ~ 95%RH | | |
| Storage Temperature | -40 ~ +85°C | | |
| Storage Humidity | 10 ~ 95%RH | | |
| Vibration | 0.01g ² / Hz at 5 Hz sloping to 0.02g ² / Hz at 20 Hz, and maintaining 0.02g ² / Hz from 20 Hz to 500 Hz at a constant acceleration of 3.13G for 20 minutes per axis for all three axes | | |
| IP Level | IP20 | | |
| Over Voltage Protection | <85V | <57V | <57V |
| | Auto Recovery | | |
| Other Protections | SCP ; Open Circuit Protection ; OTP ; OLP | | |
| Surge Voltage | Differential Mode≥1KV ; Common Mode ≥ 2KV | | |
| Withstand Voltage (Hipot) | I/P-O/P 3750Vac, I/P-FG 1875Vac | | |
| Isolation Resistance | I/P-O/P I/P-FG: 100M ohm @ 500Vdc / 25°C | | |
| Safety Standards | EN61347-1, EN61347-2-13, UL8750 | | |
| EMC Standard | Compliant with EN55015 CLASS B | | |
| Dimension (LxWxH) | 131 x 36 x 27mm | | |
| Net Weight / Packing | 115g ; 60 pcs / box | | |

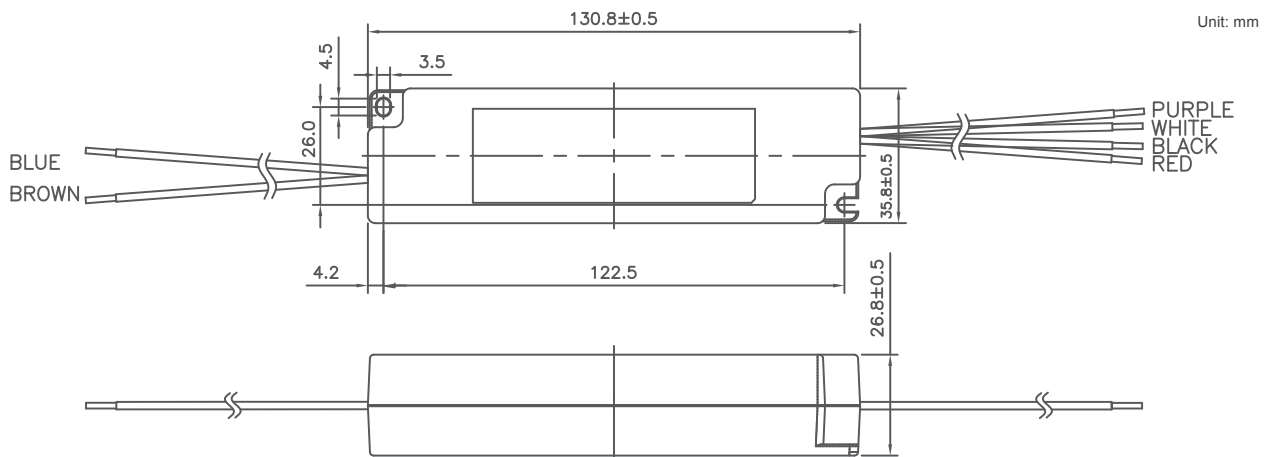
Notes:

1. Data that didn't mention is tested under 230Vac/ 50Hz full load condition
2. Data at full load and rated voltage, 230Vac/50Hz input, and 35°C ambient temperature unless otherwise specified.
3. The ripple current must be measured under the condition of AC coupling & 20MHz bandwidth. (Rated input and rated output)

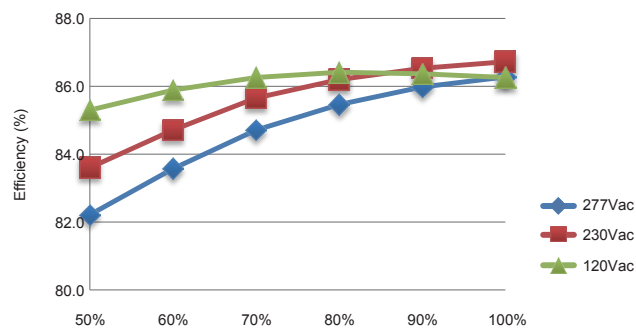


FSP TECHNOLOGY INC. (Headquarters)

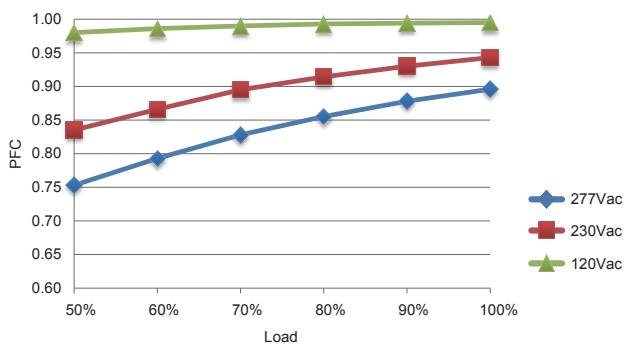
www.fsp-group.com / sales@fsp-group.com.tw
 NO.22,Jianguo E. Rd., Taoyuan City, Taiwan, R.O.C.
 TEL : +886-3-375-9888 / FAX : +886-3-375-6966



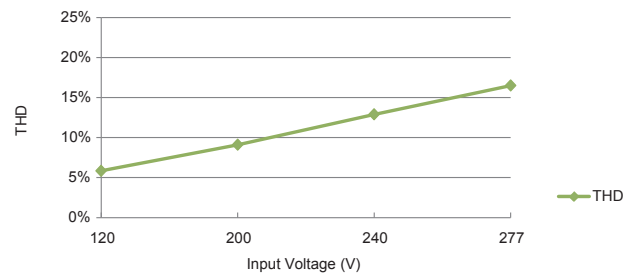
Efficiency



PFC vs Loading



THD vs Input Voltage



FSP TECHNOLOGY INC. (Headquarters)

www.fsp-group.com / sales@fsp-group.com.tw
 NO.22, Jianguo E. Rd., Taoyuan City, Taiwan, R.O.C.
 TEL : +886-3-375-9888 / FAX : +886-3-375-6966