

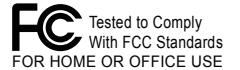


# FSP090(100)-A1BR3

### FEATURES

- USB Power Delivery Type-C Adapter
- Certified IEC 62368-1 & CB 60950-1
- Meet Energy Efficiency DOE Level VI
- Meet Code of Conduct Version 5 Tier 2
- High Reliability

### SAFETY STANDARD APPROVAL



### DESCRIPTION

This product is an 100 watts USB Power Delivery adapter use in Mobile Phones, Tablets, Automotive convenience ports, TV, Mass Storage, Expansion Ports, Laptops, Monitors, Payment terminal, Set-top boxes, Workstations.

### INPUT SPECIFICATIONS

Input voltage:	90-264 VAC
Input frequency:	47-63 Hz
Input current:	100Vac, 240Vac / full load $\leq 1.4A$
No load power consumption	115Vac, 230Vac $\leq 0.1W$ when the USB type-C plug out
Touch current:	264Vac / 50Hz $\leq 0.2mA$

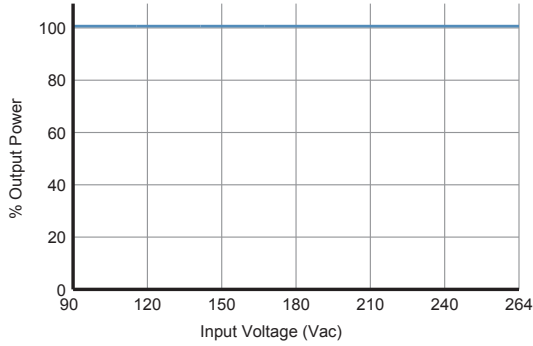
### OUTPUT SPECIFICATIONS

Output voltage/current:	See rating chart
Total output power:	See rating chart
Protection:	
Over voltage:	The adapter will enter into shut down that means no output while over voltage happened at output terminal that caused by internal fault, the output trip voltage shall not exceed 24 volts the power supply shall shut down and enter latch mode.
Short circuit & Over current:	When an internal fault occurs, or an external fault is applied to the power supply, such that an overload or short circuit is applied to the output, the power supply shall shut down and enter auto-recovery mode.
Over temperature:	The power supply will enter into shut down while the abnormal thermal rise occurs. the power supply shall shut down and enter latch .
Brown-out	Set at 55Vac~70Vac
Environment	
Working TEMP.	0~70°C (> 40°C de-rating )
Storage TEMP.	-20~+80°C
Working Humidity	20~80% RH non-condensing
Storage Humidity	10~90% RH non-condensing

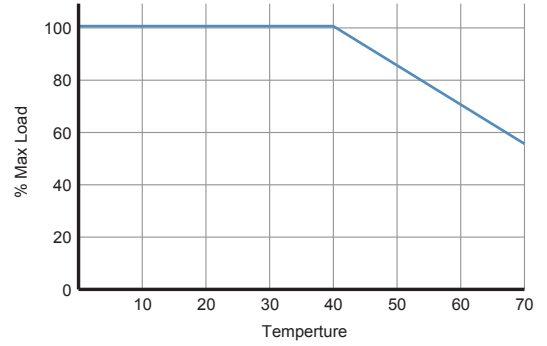
### INPUT SPECIFICATIONS

Power factor:	Provisions for adding harmonic reduction per EN 61000-3-2 must be present.
Efficiency:	See rating chart
Power turn-on time	At 100Vac / full load, output voltage shall remain regulation $\leq 5Sec$
Hold-up time:	At 100Vac or 240Vac / full load, output voltage shall remain regulation $\geq 5ms$
Inrush current:	100Vac, 240Vac / full load , Shall be less than the rating of adapter critical component (including rectifiers, fuse surge and current limiting device)
Operating altitude:	5000 meters above sea level
Withstand voltage:	Between AC input and secondary applied DC 4242V, test time 1 minute, cut off current shall be less than 10mA
MTBF:	100Vac, 240Vac / full load, 300,000 hours at 25°C, standard SR332
EMC Performance:	Class B conducted, class B radiated
EN55032	Class B conducted, class B radiated
FCC	Class B conducted, class B radiated
VCCI	Meet class D
EN61000-3-2	Meet regulation
EN61000-3-3	Air discharge: $\pm 15 KV$ , contact discharge: $\pm 8KV$ , meet criterion A
EN61000-4-2	80 ~1000 MHz, 3V/m, 80% AM(1kHz), meet criterion A
EN61000-4-3	Impulse: $\pm 1kV$ applied to L,N, meet criterion A
EN61000-4-4	$\pm 1kV$ applied differential mode, $\pm 2kV$ applied common mode, meet criterion A
EN61000-4-5	0.15 ~ 80 MHz, 3Vrms, 80% AM(1kHz), meet criterion A
EN61000-4-6	50 Hz or 60Hz, 1A/m, meet criterion A
EN61000-4-8	Voltage Dips :
EN61000-4-11	>95% reduction for 0.5 period, meet criterion A
	30% reduction for 25 period, meet criterion A
	Voltage Interruptions :
	>95% reduction for 250 period, meet criterion B
Power de-rating:	100Vac or 240Vac, 0°C to 40°C, 100% load.

**INPUT VOLTAGE DERATING CURVE**



**OUTPUT POWER DERATING CURVE**

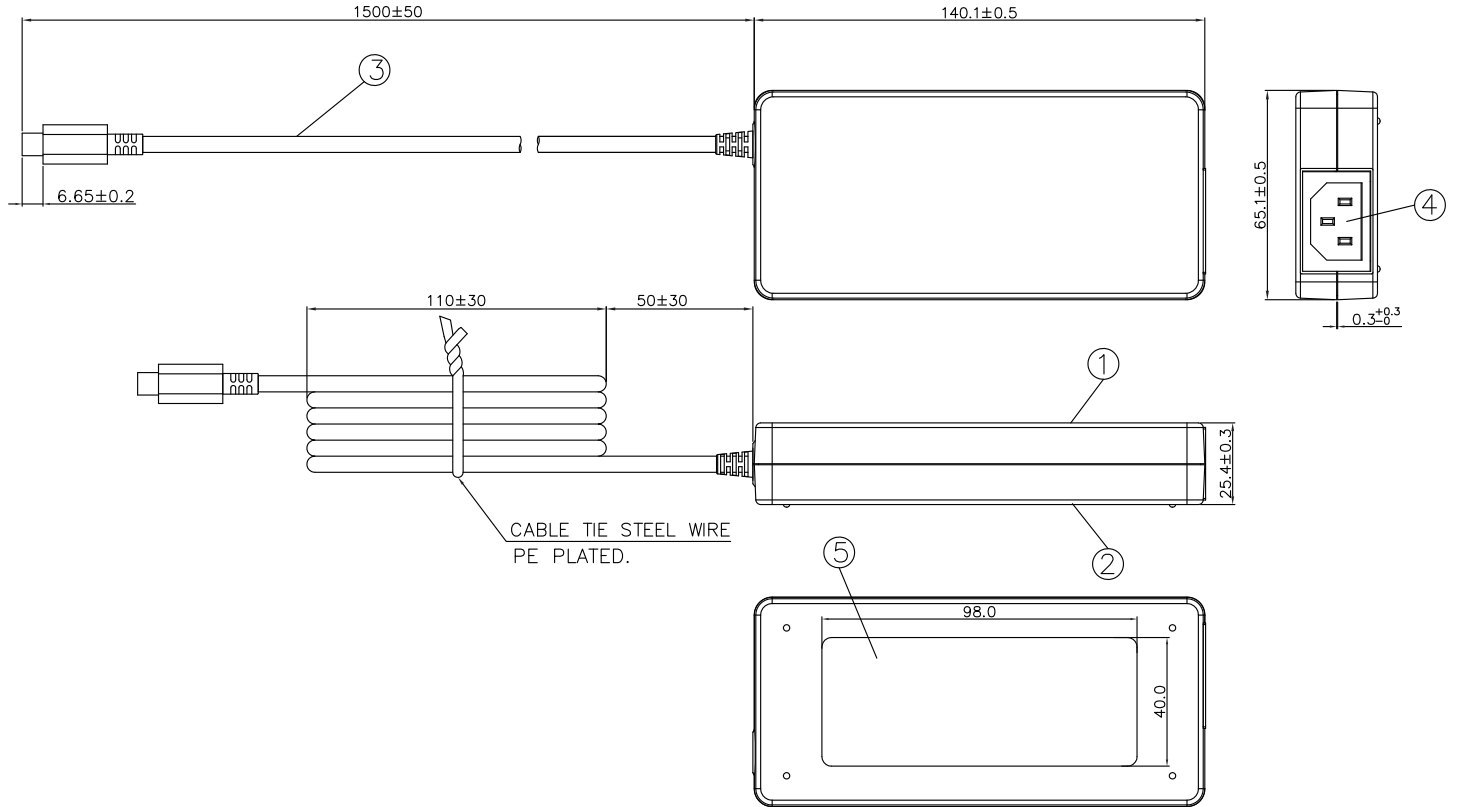


**OUTPUT VOLTAGE/CURRENT RATING CHART**

Model	Output Voltage	Output Current	AC Inlet	Efficiency		Over Voltage Protection
				DOE(Level VI)	CoC V5 (Tier 2)	
FSP090-A1AR3	5/9/12/15/20V	3/3/3/3/4.5A	C14	≥ 88%	≥ 89%	24Volts
FSP090-A1BR3	5/9/12/15/20V	3/3/3/3/4.5A	C6			
FSP100-A1AR3	5/9/12/15/20V	3/3/3/3/5A	C14			
FSP100-A1BR3	5/9/12/15/20V	3/3/3/3/5A	C6			

### MECHANICAL SPECIFICATIONS

FSP090(100)-A1AR3



FSP090(100)-A1BR3

