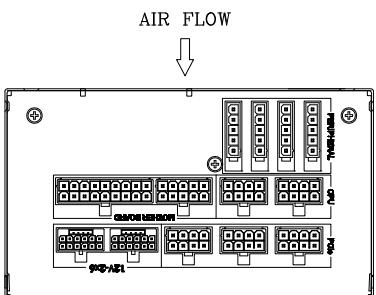
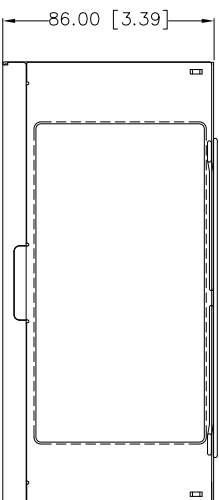
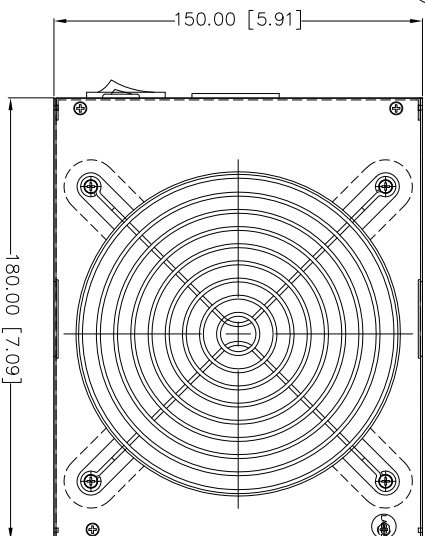
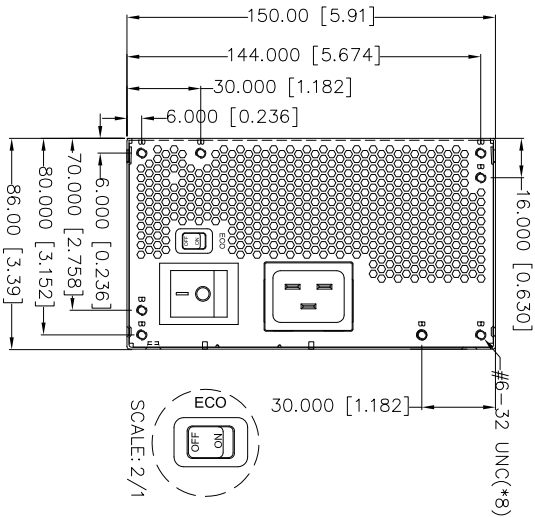


2 變更線印



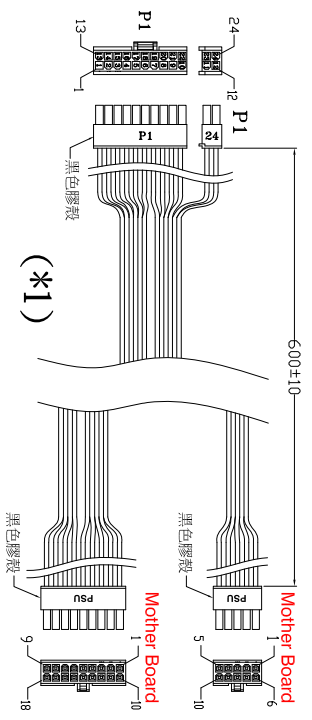
NOTE:

1. ALL THE LENGTH OF OUTPUT WIRES EXCLUDE HOUSING.
2. 公差：.XX=±0.5 [0.02]、.XXX=±0.25 [0.01]

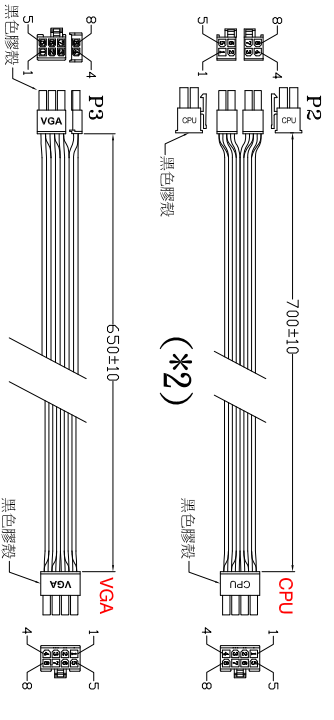
UNIT:mm

P/N.:9PA13F0100

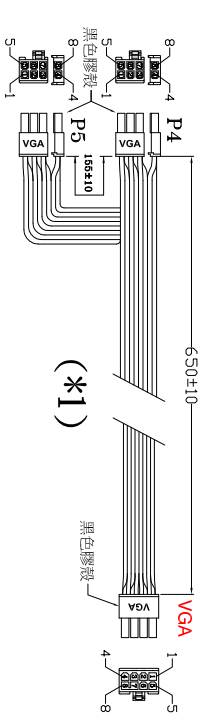
MODEL NO. : FSP1350-57AZB	TITLE: ASSY	SHEET: 1 OF 2	REV:02
R&D(2)	PE	DRAWN	DATE
INTERIOR COUNTERSIGN:			FEB.05.2024



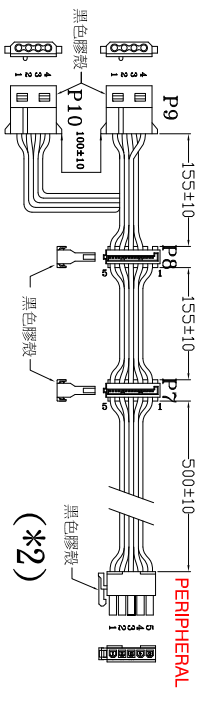
(*1)



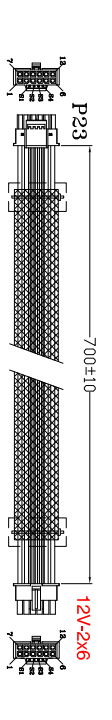
(*2)



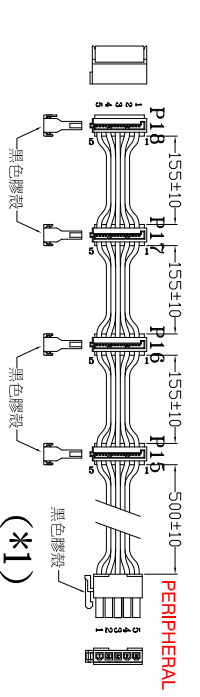
(*1)



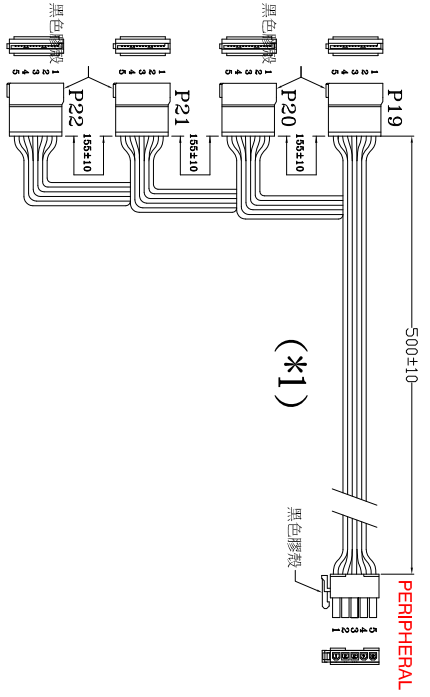
(*2)



(*2)



(*1)



(*1)

REF. ID.	PIN NO.	SIGNAL	WIRE COLOR	GAUGE	CONNECTOR TYPE
P7-8	1	+3.3VDC	BLACK	18	MOLEX SD-67926
	2	COM	BLACK	18	
	3	+5V	BLACK	18	
	4	COM	BLACK	18	
P15-18	1	+12V	BLACK	18	or EQUIV.
	2	COM	BLACK	18	
	3	+5V	BLACK	18	
	4	COM	BLACK	18	
	5	+12V	BLACK	18	
P9	1	+3.3VDC	BLACK	18	MOLEX SD-67582
	2	COM	BLACK	18	
	3	+5V	BLACK	18	
	4	COM	BLACK	18	
P10	1	+12V	BLACK	18	AMP 1-480424-9 or EQUIV.
	2	COM	BLACK	18	
	3	COM	BLACK	18	
	4	COM	BLACK	18	
	5	+12V	BLACK	18	
P19	1	+12V	BLACK	16	MOLEX PD12-130006FS4Z or EQUIV.
	2	COM	BLACK	16	
	3	+5V	BLACK	16	
	4	COM	BLACK	16	
	5	+12V	BLACK	16	
	6	+12V	BLACK	16	
	7	COM	BLACK	16	
	8	COM	BLACK	16	
P22	1	+12V	BLACK	16	WST
	2	+12V	BLACK	16	
	3	+12V	BLACK	16	
	4	+12V	BLACK	16	
P23	1	COM	BLACK	16	WST PD12-130006FS4Z or EQUIV.
	2	COM	BLACK	16	
	3	COM	BLACK	16	
	4	COM	BLACK	16	
	5	+12V	BLACK	16	
	6	+12V	BLACK	16	
	7	COM	BLACK	16	
	8	COM	BLACK	16	
	9	COM	BLACK	16	
	10	COM	BLACK	16	
	11	COM	BLACK	16	
	12	COM	BLACK	16	
P23	13	CARD_PWK_STABLE	BLACK	24	S2
	14	CARD_CK_PULSE#	BLACK	24	
	15	SENSE0	BLACK	24	
	16	SENSE1	BLACK	24	

REF. ID.	PIN NO.	SIGNAL	WIRE COLOR	GAUGE	CONNECTOR TYPE
P1	1	+3.3VDC	BLACK	16	WST P20-142002K1D-B + P4-142002K1D-B or EQUIV.
	2	+3.3VDC	BLACK	16	
	3	+3.3V Sense	BLACK	22	
	4	COM	BLACK	16	
	5	+5V	BLACK	16	
	6	COM	BLACK	16	
	7	+5V Sense	BLACK	22	
	8	COM	BLACK	16	
	9	PW-OK	BLACK	22	
	10	+5Vsb	BLACK	16	
	11	+12V	BLACK	16	
	12	+12V Sense	BLACK	22	
	13	+3.3VDC	BLACK	16	
	14	+3.3VDC	BLACK	16	
	15	-12VDC	BLACK	16	
	16	COM	BLACK	16	
	17	PS-ON	BLACK	22	
	18	COM	BLACK	16	
	19	COM	BLACK	16	
	20	COM	BLACK	16	
P2	21	+5V	BLACK	16	WST P4-142002K3B-B4 + P4-142002K4B-B4 or EQUIV.
	22	+5V	BLACK	16	
	23	+5V	BLACK	16	
	24	COM	BLACK	16	
P3	1	COM	BLACK	16	WST P6-142002K21-B6 + P2-142002K13B-B or EQUIV.
	2	COM	BLACK	16	
	3	COM	BLACK	16	
	4	COM	BLACK	16	
	5	+12V	BLACK	16	
	6	+12V	BLACK	16	
	7	+12V	BLACK	16	
	8	+12V	BLACK	16	
P4	1	+12V	BLACK	16	WST
	2	+12V	BLACK	16	
	3	+12V	BLACK	16	
	4	+12V	BLACK	16	
P5	1	+12V	BLACK	18	WST P6-142002K21-B6 + P2-142002K13B-B or EQUIV.
	2	+12V	BLACK	18	
	3	+12V	BLACK	18	
	4	COM	BLACK	18	
	5	COM	BLACK	18	
	6	COM	BLACK	18	
	7	COM	BLACK	18	
	8	COM	BLACK	18	

P/N.:9PA13F0100

UNIT:mm [inch]

MODEL NO.: FSP1350-57AZB

TITLE: ASSY

SHEET: 2 OF 2 REV:02