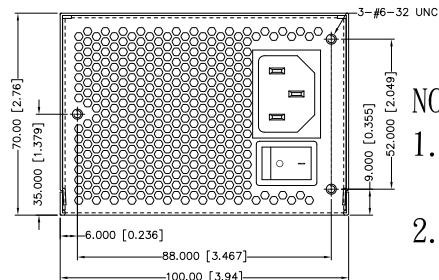
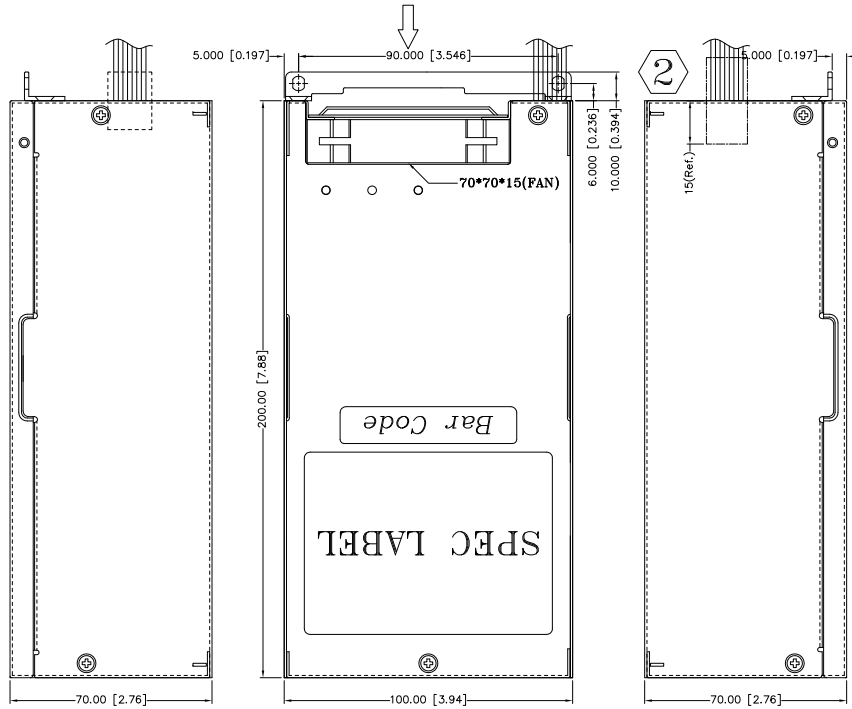


AIR FLOW

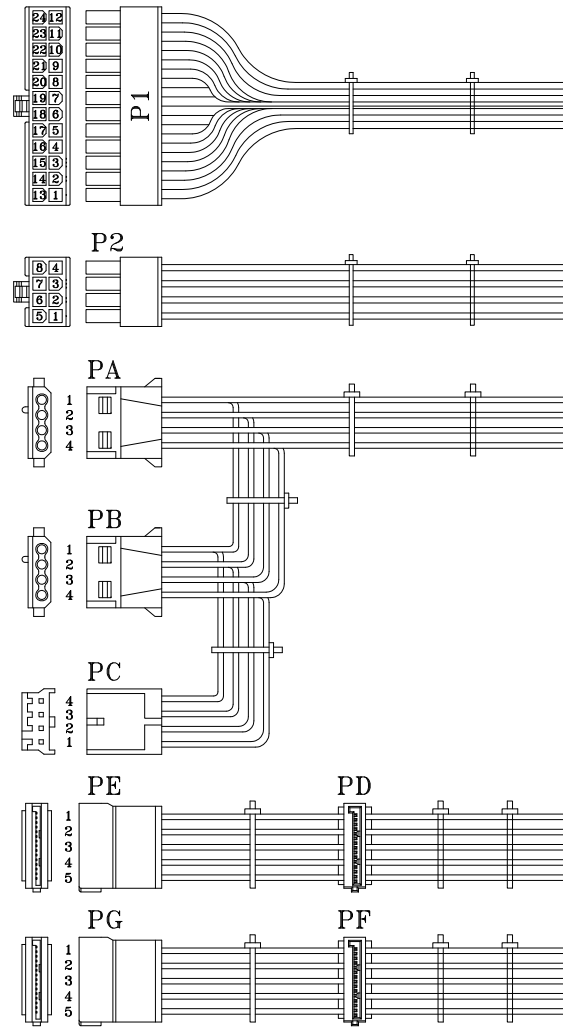
② 取消字樣



NOTE:

- ALL THE LENGTH OF OUTPUT WIRES EXCLUDE HOUSING.
- 公差: .XX=±0.5 [0.02]、.XXX=±0.25 [0.01]

UNIT:mm



REF. ID.	PIN NO.	SIGNAL	WIRE COLOR	GAUGE	CONNECTOR TYPE	CABLE LENGTH
P1	1	+3.3V	ORANGE	18	MOLEX 39-01-2240 or EQUIV.	500±15mm
	2	+3.3V	ORANGE	18		
	3	COM	BLACK	18		
	4	COM	BLACK	24		
	5	+5V	RED	18		
	6	COM	BALCK	18		
	7	+5V	RED	18		
	8	COM	BALCK	18		
	9	PW-OK	GRAY	24		
	10	+5Vsb	PURPLE	18		
	11	+12V	YELLOW	18		
	12	+12V	YELLOW	18		
	13	+3.3V	ORANGE	18		
	14	+3.3Vsense	BROWN	24		
	15	-12V	BLUE	24		
	16	COM	BALCK	18		
	17	PS-ON	GREEN	24		
	18	COM	BALCK	18		
	19	COM	BALCK	18		
	20	-5V	WHITE	24		
	21	+5V	RED	18		
	22	+5V	RED	18		
	23	+5V	RED	18		
	24	COM	BALCK	18		
P2	1	COM	BALCK	18	MOLEX 39-01-2080 or EQUIV.	500±15mm
	2	COM	BALCK	18		
	3	COM	BALCK	18		
	4	COM	BALCK	18		
	5	+12V	YELLOW	18		
	6	+12V	YELLOW	18		
	7	+12V	YELLOW	18		
	8	+12V	YELLOW	18		
PA	1	+12V	YELLOW	20	WST P4-A10202 or EQUIV.	500±15mm
	2	COM	BALCK	20		
	3	COM	BALCK	20		
	4	+5V	RED	20		
PB	1	+12V	YELLOW	20	WST P4-A10202 or EQUIV.	155±10mm
	2	COM	BALCK	20		
	3	COM	BALCK	20		
	4	+5V	RED	20		
PC	1	+5V	RED	22	AMP 171822-4 or EQUIV.	155±10mm
	2	COM	BALCK	22		
	3	COM	BALCK	22		
	4	+12V	YELLOW	22		
PD	1	+3.3V	ORANGE	20	MOLEX SD-67926-0311 or EQUIV.	500±15mm
	2	COM	BALCK	20		
	3	+5V	RED	20		
	4	COM	BALCK	20		
PE	1	+3.3V	ORANGE	20	MOLEX SD-67582-001 or EQUIV.	155±10mm
	2	COM	BALCK	20		
	3	+5V	RED	20		
	4	COM	BALCK	20		
PG	1	+3.3V	ORANGE	20		
	2	COM	BALCK	20		
	3	+5V	RED	20		
	4	COM	BALCK	20		
PF	1	+12V	YELLOW	20		
	2	COM	BALCK	20		
	3	+5V	RED	20		
	4	COM	BALCK	20		

P/N.:9PA300H600

MODEL NO.: FSP300-50WCB(STD0001)	TITLE: ASSY	SHEET: 1 OF 1	REV:02
R&D(2)	PE	DRAWN 樂家龍	DATE May.22.2020
INTERIOR COUNTERSIGN:			