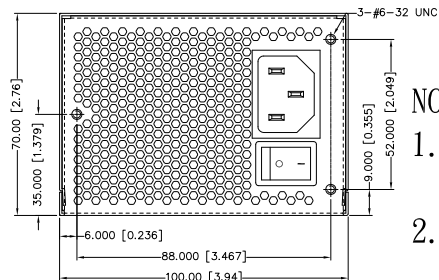
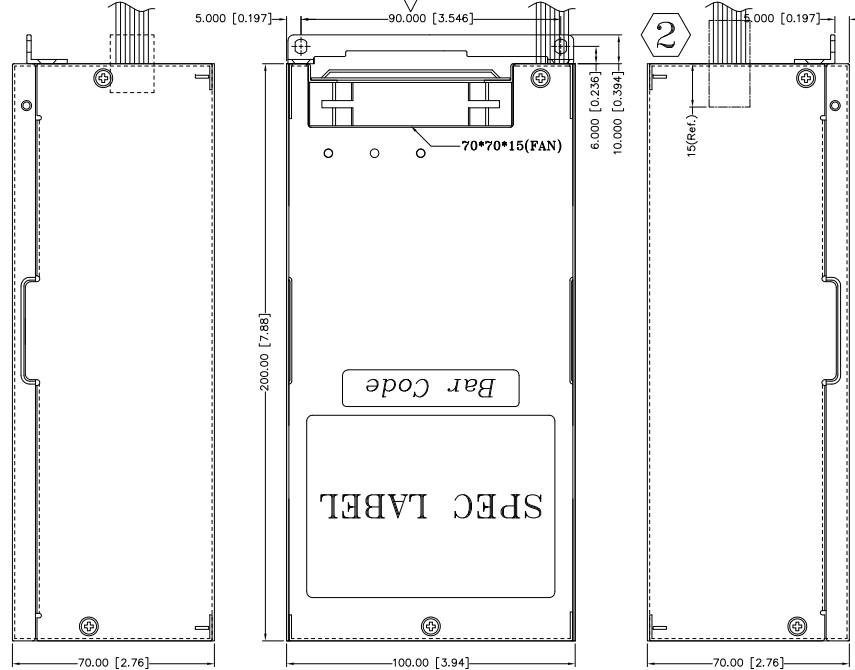


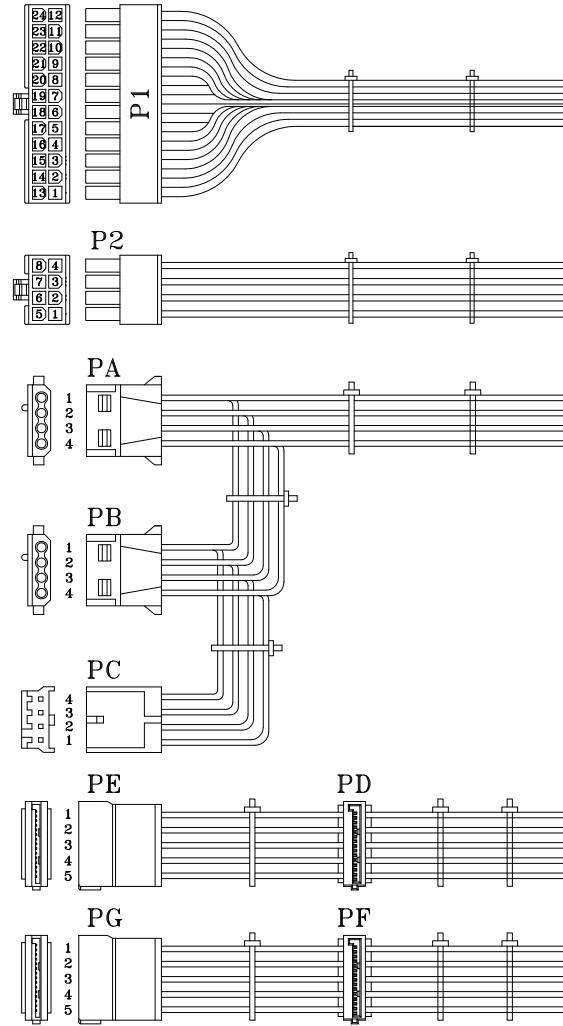
AIR FLOW

取消字樣
線徑修正



NOTE:

- ALL THE LENGTH OF OUTPUT WIRES EXCLUDE HOUSING.
- 公差: .XX=±0.5 [0.02]、
.XXX=±0.25 [0.01]



REF. ID.	PIN NO.	SIGNAL	WIRE COLOR	GAUGE	CONNECTOR TYPE	CABLE LENGTH
P1	1	+3.3V	ORANGE	18	MOLEX 39-01-2240 or EQUIV.	500±15mm
	2	+3.3V	ORANGE	18		
	3	COM	BLACK	18		
	4	+5V	RED	18		
	5	COM	BALCK	18		
	6	+5V	RED	18		
	7	COM	BALCK	18		
	8	PW-OK	GRAY	24		
	9	+5Vsb	PURPLE	18		
	10	+12V	YELLOW	18		
	11	+12V	YELLOW	18		
	12	+3.3V	ORANGE	18		
	13	+3.3Vsense	BROWN	24		
	14	-12V	BLUE	24		
	15	COM	BALCK	18		
	16	PS-ON	GREEN	24		
	17	COM	BALCK	18		
	18	COM	BALCK	18		
	19	COM	BALCK	18		
	20	-5V	WHITE	24		
	21	+5V	RED	18		
	22	+5V	RED	18		
	23	+5V	RED	18		
	24	COM	BALCK	18		
P2	1	COM	BALCK	20	MOLEX 39-01-2080 or EQUIV.	500±15mm
	2	COM	BALCK	20		
	3	COM	BALCK	20		
	4	COM	BALCK	20		
	5	+12V	YELLOW	20		
	6	+12V	YELLOW	20		
	7	+12V	YELLOW	20		
	8	+12V	YELLOW	20		
PA	1	+12V	YELLOW	18	WST P4-A10202 or EQUIV.	500±15mm
	2	COM	BALCK	18		
	3	COM	BALCK	18		
	4	+5V	RED	18		
PB	1	+12V	YELLOW	18	WST P4-A10202 or EQUIV.	155±10mm
	2	COM	BALCK	18		
	3	COM	BALCK	18		
	4	+5V	RED	18		
PC	1	+5V	RED	22	AMP 171822-4 or EQUIV.	155±10mm
	2	COM	BALCK	22		
	3	COM	BALCK	22		
	4	+12V	YELLOW	22		
PD	1	+3.3V	ORANGE	18	MOLEX SD-67926 -0311 or EQUIV.	500±15mm
	2	COM	BALCK	18		
	3	+5V	RED	18		
	4	COM	BALCK	18		
	5	+12V	YELLOW	18		
PF	1	+3.3V	ORANGE	18	MOLEX SD-67582 -001 or EQUIV.	155±10mm
	2	COM	BALCK	18		
	3	+5V	RED	18		
	4	COM	BALCK	18		
	5	+12V	YELLOW	18		

P/N.:9PA300H900

UNIT:mm

MODEL NO.: FSP300-50WDB(STD0001)		TITLE: ASSY		SHEET: 1 OF 1 REV:02	
R&D(2)	PE	DRAWN	DATE		
		樂家龍	May.22.2020		
INTERIOR COUNTERSIGN:					