

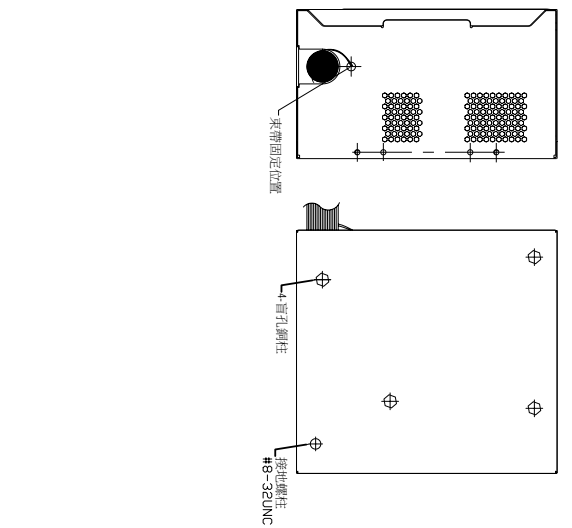
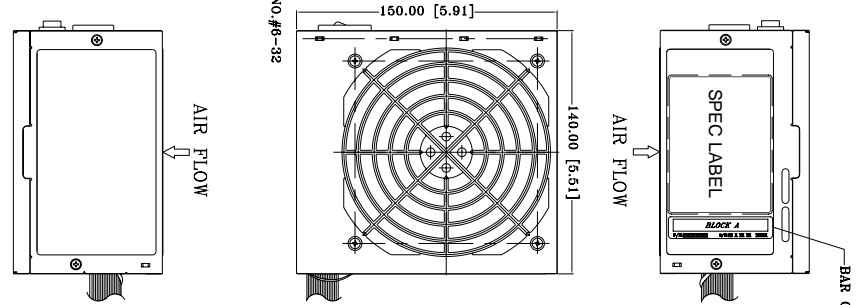
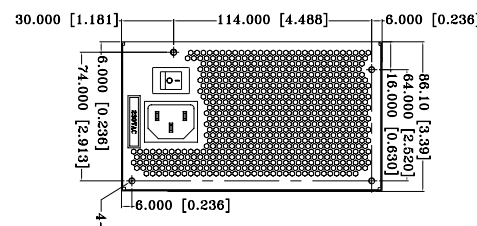
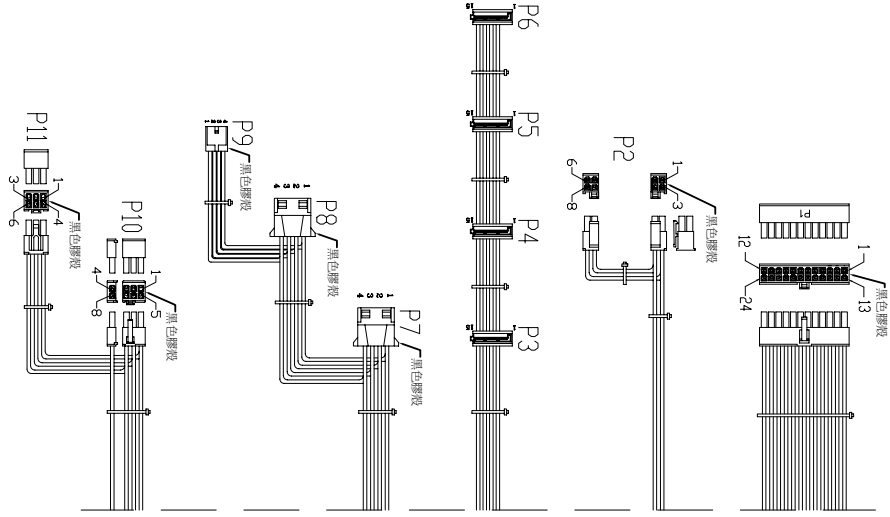
外觀圖



OAD-00002905

FSP450-51AAC,(STD0001)

REF. ID	PIN NO	SIGNAL	WIRE COLOR	GAUGE	CONNECTOR	CABLE LENGTH			
P1	1	+3.3VDC	ORANGE	20	MOLEX-2240	400±8mm			
	2	+3.3VDC	ORANGE	20	139-01 or EQUIV.				
	3	COM	BLACK	18					
	4	+5VDC	RED	20					
	5	COM	BLACK	18					
	6	+5VDC	RED	20					
P2	1	+5VDC	RED	20	NST P4-42002BK39+ P4-42002BK48 or EQUIV.	500±8mm			
	2	COM	BLACK	18					
	3	+12V	YELLOW	18					
	4	+12V	YELLOW	18					
	5	COM	BLACK	20					
	6	COM	BLACK	20					
	7	+12V	YELLOW	18					
	8	+12V	YELLOW	18					
	9	+5VSB	PURPLE	20					
	10	+12V	YELLOW	18					
	11	+12V	YELLOW	18					
P3	1	+5VDC	RED	20	MOLEX SD-67926-0311 or EQUIV.	400±8mm			
	2	COM	BLACK	20					
	3	+5VDC	RED	20					
	4	COM	BLACK	20					
	5	+12V	YELLOW	20					
	P4	1	+5VDC	RED			20	MOLEX SP-67926-0311 or EQUIV.	155±10mm
		2	COM	BLACK			20		
		3	+5VDC	RED			20		
		4	COM	BLACK			20		
		5	+12V	YELLOW			20		
	P5	1	+12V	YELLOW			20	AMP 1-480424-0 or EQUIV.	400±8mm
2		COM	BLACK	20					
3		COM	BLACK	20					
4		+5VDC	RED	20					
5		+12V	YELLOW	20					
P6	1	+12V	YELLOW	20	AMP 1-480424-0 or EQUIV.	400±8mm			
	2	COM	BLACK	20					
	3	COM	BLACK	20					
	4	+5VDC	RED	20					
	5	+12V	YELLOW	20					
P7	1	+12V	YELLOW	20	AMP 1-480424-0 or EQUIV.	400±8mm			
	2	COM	BLACK	20					
	3	COM	BLACK	20					
	4	+5VDC	RED	20					
	5	+12V	YELLOW	20					
P8	1	+12V	YELLOW	20	AMP 1-480424-0 or EQUIV.	155±10mm			
	2	COM	BLACK	20					
	3	+5VDC	RED	20					
	4	COM	BLACK	20					
	5	+12V	YELLOW	20					
P9	1	+5VDC	RED	20	AMP 171822-4 or EQUIV.	155±10mm			
	2	COM	BLACK	20					
	3	COM	BLACK	20					
	4	+12V	YELLOW	20					
	5	+12V	YELLOW	20					
P10	1	+12V	YELLOW	18	WST P8-142002K21B-B or EQUIV.	400±8mm			
	2	+12V	YELLOW	18					
	3	+12V	YELLOW	18					
	4	COM	BLACK	18					
	5	COM	BLACK	18					
P11	1	+12V	YELLOW	20	WST P5-142002BK5 or EQUIV.	155±10mm			
	2	+12V	YELLOW	20					
	3	+12V	YELLOW	20					
	4	COM	BLACK	20					
	5	COM	BLACK	20					



修改版文字號	修改事項	備註
1	配合線材圖修改外觀圖	

- NOTES:
- ALL THE LENGTH OF OUTPUT WIRES EXCLUDE HOUSING.
 - 產地標籤依業務指示加貼.
 - 公差: XX=±0.5 [0.02]、XXX=±0.25 [0.01].
 - +3.3V sense線插在+3.3V板上.

MODEL NO.: FSP450-51AAC (STD0001)

R&D 8	PE	TITLE: ASSY	SHEET: 1 OF 1	DATE
		DRAWN	REV: 03	OCT.03.2018

P/N.: 9PA450A300