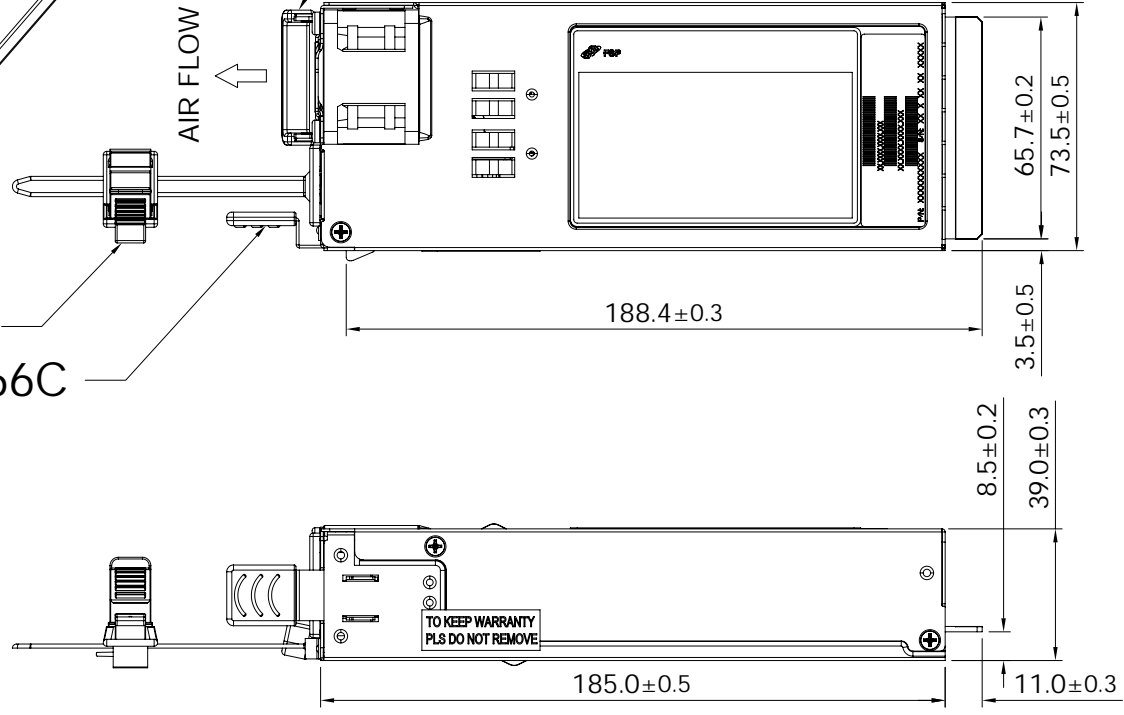
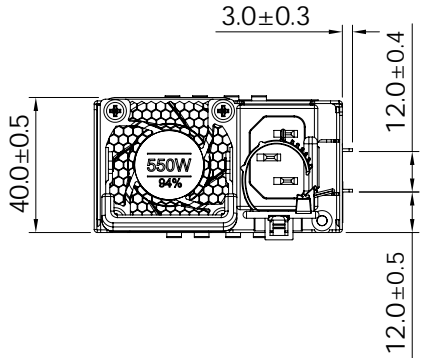


Wire Mount Black
Pantone 2766C

Pantone Hexachrome Black C

AIR FLOW



P/N.:9PA5508600

Note:
黑色塑膠線扣出貨時,不須組裝,依生產注意事項放入指定包材位置.

MODEL NO.:FSP550-20FM(STD0001)		TITLE:ASSY		SHEET:1OF1	REV:01
RD12	PE	DRAWN		DATE	
		Webb		NOV.23.2018	