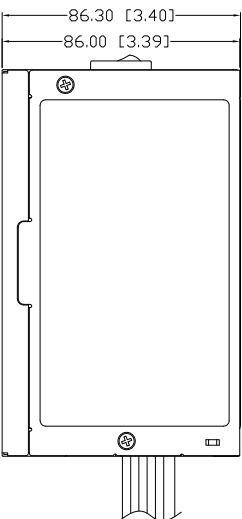
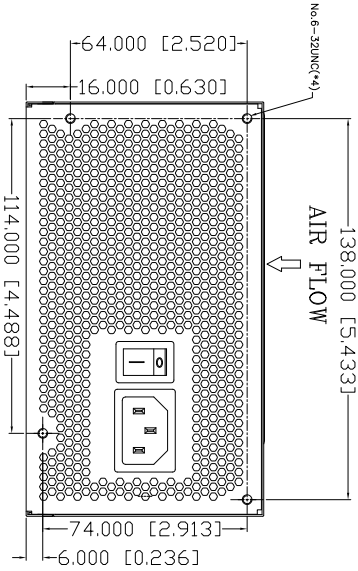
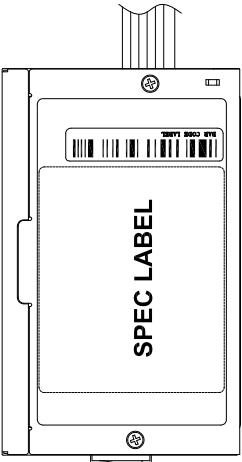
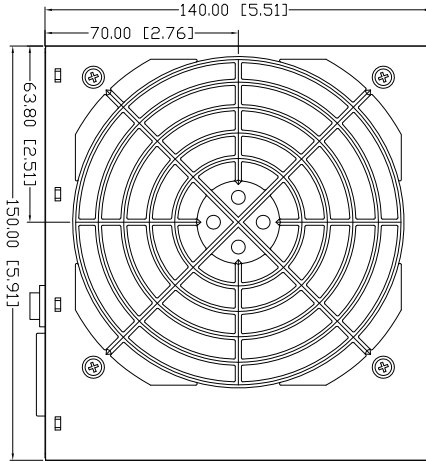
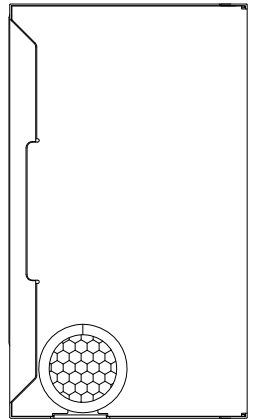
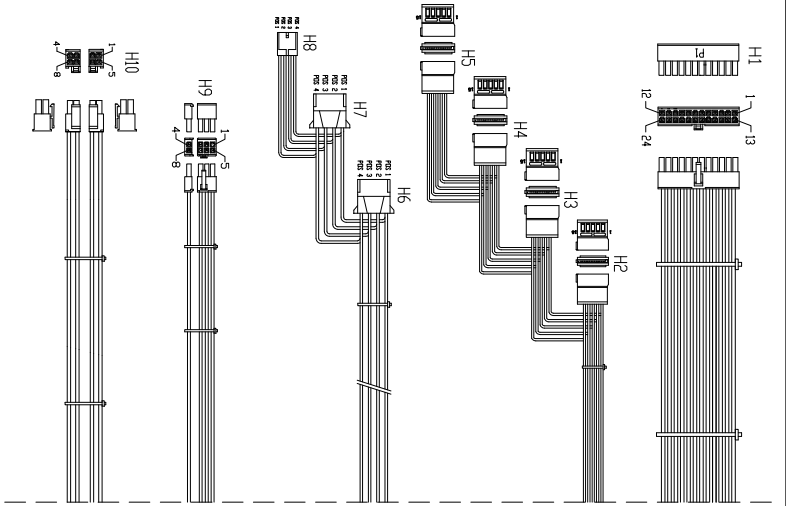


# 外觀圖





REF. ID	PIN NO.	SIGNAL	COLOR	GAUGE	CONNECTOR TYPE	CABLE LENGTH
H1	1	+3.3VDC	ORANGE	18	MOLEX 500-18mm	
	2	+5VDC	RED	18	MOLEX 500-18mm	
	3	COM	BLACK	18	MOLEX 500-18mm or REVIV.	
	4	+5VDC	RED	18		
	5	COM	BLACK	18		
	6	+5VDC	RED	18		
	7	COM	BLACK	18		
	8	PM-ON	GRAY	24		
	9	+5VDC	RED	18		
	10	+5VDC	YELLOW	18		
	11	+12V	YELLOW	18		
	12	+3.3VDC	ORANGE	18		
	13	+3.3VDC	ORANGE	18		
	14	-12VDC	BROWN	24		
	15	COM	BLACK	18		
	16	PS-ON	GREEN	18		
	17	COM	BLACK	18		
	18	COM	BLACK	18		
	19	COM	BLACK	18		
	20	COM	BLACK	18		
H2	21	+5VDC	RED	18		
	22	+5VDC	RED	18		
	23	+5VDC	RED	18		
	24	+3.3V	ORANGE	18		
H3	1	+5V	RED	18	MOLEX 400-18mm or REVIV.	
	2	+5V	RED	18		
	3	+5V	RED	18		
	4	+12V	YELLOW	18		
H4	1	+3.3V	ORANGE	18	MOLEX 400-18mm or REVIV.	
	2	COM	BLACK	18		
	3	COM	BLACK	18		
	4	COM	BLACK	18		
H5	1	+3.3V	ORANGE	18	MOLEX 400-18mm or REVIV.	
	2	COM	BLACK	18		
	3	+5V	RED	18		
	4	COM	BLACK	18		
H6	1	+12V	YELLOW	18	AMP 1-400x4-0 400-18mm or REVIV.	
	2	COM	BLACK	18		
	3	COM	BLACK	18		
	4	+5V	RED	18		
H7	1	+12V	YELLOW	18	AMP 1-400x4-0 400-18mm or REVIV.	
	2	COM	BLACK	18		
	3	+5V	RED	18		
	4	+5V	RED	18		
H8	1	+5V	RED	22	AMP 178x2-4 100-18mm or REVIV.	
	2	COM	BLACK	22		
	3	COM	BLACK	22		
	4	+12V	YELLOW	22		
H9	1	+12V	YELLOW	18	AMP 178x2-4 100-18mm or REVIV.	
	2	+12V	YELLOW	18		
	3	+12V	YELLOW	18		
	4	+12V	YELLOW	18		

REF. ID	PIN NO.	SIGNAL	COLOR	GAUGE	CONNECTOR TYPE	CABLE LENGTH
H10	1	COM	BLACK	18	AMP 178x2-4 100-18mm or REVIV.	
	2	+12V	YELLOW	18		
	3	+12V	YELLOW	18		
	4	+12V	YELLOW	18		

NOTE:  
1. ALL THE LENGTH OF OUTPUT WIRES EXCLUDE HOUSING.  
2. 產地標籤依業務指示加貼.  
3. 公差: .XX=±0.5 [0.02]、.XXX=±0.25 [0.01].

UNIT:mm/inch

MODEL NO. : FSP550-50AAA,(STD0001)	TITLE: ASSY	SHEET: 1 OF 1	REV:02
R&D(1)	PE	DRAWN	DATE
			6/25/2018

P/N:9PA5508200