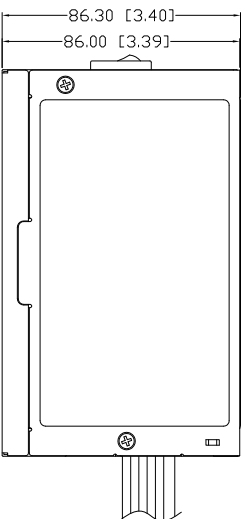
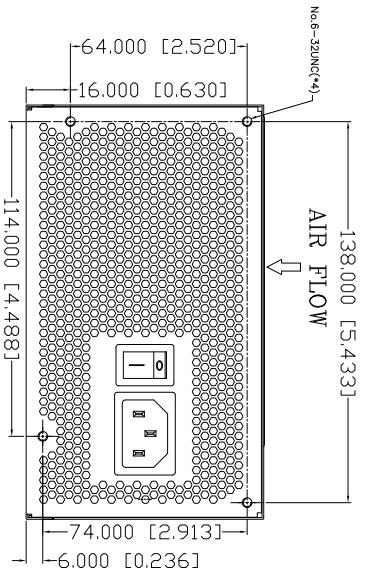
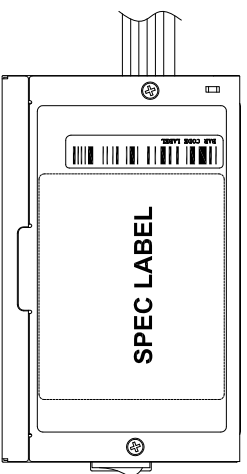
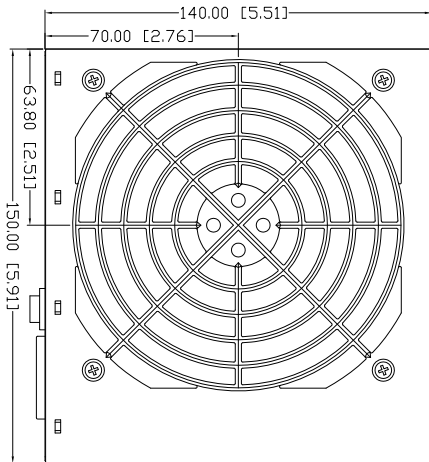
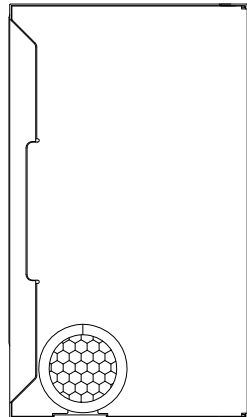
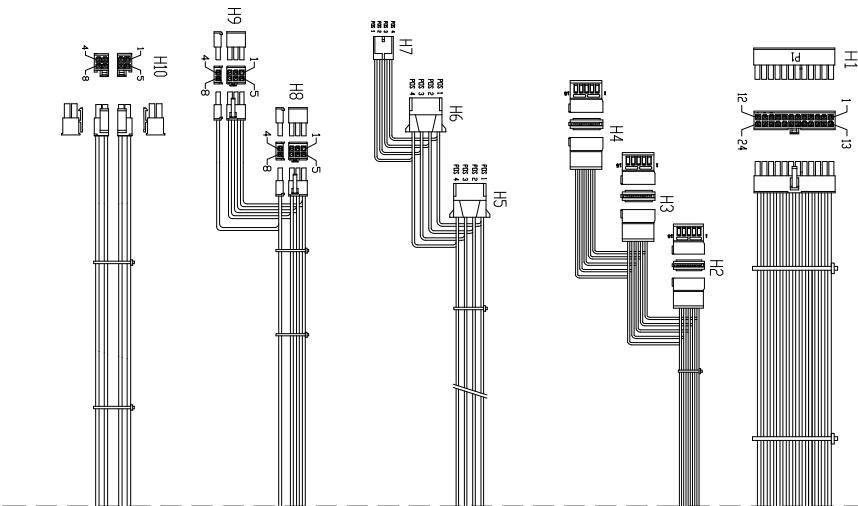


外觀圖





REF. ID	NO.	SIGNAL	WIRE COLOR	GAUGE	CONNECTOR TYPE	CABLE LENGTH
H1	1	+3.3VDC	ORANGE	18	MOLEX 500 or 500A or 500B	500±10mm
	2	+5VDC	RED	18	MOLEX 500 or 500A or 500B	500±10mm
	3	COM	BLACK	18	MOLEX 500 or 500A or 500B	500±10mm
	4	+5VDC	RED	18	MOLEX 500 or 500A or 500B	500±10mm
	5	COM	BLACK	18	MOLEX 500 or 500A or 500B	500±10mm
	6	+5VDC	RED	18	MOLEX 500 or 500A or 500B	500±10mm
	7	COM	BLACK	18	MOLEX 500 or 500A or 500B	500±10mm
	8	PM-ON	GRAY	24	MOLEX 500 or 500A or 500B	500±10mm
	9	+5VDC	RED	18	MOLEX 500 or 500A or 500B	500±10mm
	10	COM	BLACK	18	MOLEX 500 or 500A or 500B	500±10mm
H2	1	+3.3VDC	ORANGE	18	MOLEX 500 or 500A or 500B	500±10mm
	2	+5VDC	RED	18	MOLEX 500 or 500A or 500B	500±10mm
	3	COM	BLACK	18	MOLEX 500 or 500A or 500B	500±10mm
	4	+5VDC	RED	18	MOLEX 500 or 500A or 500B	500±10mm
	5	COM	BLACK	18	MOLEX 500 or 500A or 500B	500±10mm
	6	+5VDC	RED	18	MOLEX 500 or 500A or 500B	500±10mm
	7	COM	BLACK	18	MOLEX 500 or 500A or 500B	500±10mm
	8	PM-ON	GRAY	24	MOLEX 500 or 500A or 500B	500±10mm
	9	+5VDC	RED	18	MOLEX 500 or 500A or 500B	500±10mm
	10	COM	BLACK	18	MOLEX 500 or 500A or 500B	500±10mm
H3	1	+3.3V	ORANGE	18	MOLEX 500 or 500A or 500B	500±10mm
	2	+5V	RED	18	MOLEX 500 or 500A or 500B	500±10mm
	3	COM	BLACK	18	MOLEX 500 or 500A or 500B	500±10mm
	4	+5V	RED	18	MOLEX 500 or 500A or 500B	500±10mm
	5	COM	BLACK	18	MOLEX 500 or 500A or 500B	500±10mm
	6	+5V	RED	18	MOLEX 500 or 500A or 500B	500±10mm
	7	COM	BLACK	18	MOLEX 500 or 500A or 500B	500±10mm
	8	PM-ON	GRAY	24	MOLEX 500 or 500A or 500B	500±10mm
	9	+5V	RED	18	MOLEX 500 or 500A or 500B	500±10mm
	10	COM	BLACK	18	MOLEX 500 or 500A or 500B	500±10mm
H4	1	+3.3V	ORANGE	18	MOLEX 500 or 500A or 500B	500±10mm
	2	+5V	RED	18	MOLEX 500 or 500A or 500B	500±10mm
	3	COM	BLACK	18	MOLEX 500 or 500A or 500B	500±10mm
	4	+5V	RED	18	MOLEX 500 or 500A or 500B	500±10mm
	5	COM	BLACK	18	MOLEX 500 or 500A or 500B	500±10mm
	6	+5V	RED	18	MOLEX 500 or 500A or 500B	500±10mm
	7	COM	BLACK	18	MOLEX 500 or 500A or 500B	500±10mm
	8	PM-ON	GRAY	24	MOLEX 500 or 500A or 500B	500±10mm
	9	+5V	RED	18	MOLEX 500 or 500A or 500B	500±10mm
	10	COM	BLACK	18	MOLEX 500 or 500A or 500B	500±10mm
H5	1	+3.3V	ORANGE	18	MOLEX 500 or 500A or 500B	500±10mm
	2	+5V	RED	18	MOLEX 500 or 500A or 500B	500±10mm
	3	COM	BLACK	18	MOLEX 500 or 500A or 500B	500±10mm
	4	+5V	RED	18	MOLEX 500 or 500A or 500B	500±10mm
	5	COM	BLACK	18	MOLEX 500 or 500A or 500B	500±10mm
	6	+5V	RED	18	MOLEX 500 or 500A or 500B	500±10mm
	7	COM	BLACK	18	MOLEX 500 or 500A or 500B	500±10mm
	8	PM-ON	GRAY	24	MOLEX 500 or 500A or 500B	500±10mm
	9	+5V	RED	18	MOLEX 500 or 500A or 500B	500±10mm
	10	COM	BLACK	18	MOLEX 500 or 500A or 500B	500±10mm
H6	1	+3.3V	ORANGE	18	MOLEX 500 or 500A or 500B	500±10mm
	2	+5V	RED	18	MOLEX 500 or 500A or 500B	500±10mm
	3	COM	BLACK	18	MOLEX 500 or 500A or 500B	500±10mm
	4	+5V	RED	18	MOLEX 500 or 500A or 500B	500±10mm
	5	COM	BLACK	18	MOLEX 500 or 500A or 500B	500±10mm
	6	+5V	RED	18	MOLEX 500 or 500A or 500B	500±10mm
	7	COM	BLACK	18	MOLEX 500 or 500A or 500B	500±10mm
	8	PM-ON	GRAY	24	MOLEX 500 or 500A or 500B	500±10mm
	9	+5V	RED	18	MOLEX 500 or 500A or 500B	500±10mm
	10	COM	BLACK	18	MOLEX 500 or 500A or 500B	500±10mm
H7	1	+3.3V	ORANGE	18	MOLEX 500 or 500A or 500B	500±10mm
	2	+5V	RED	18	MOLEX 500 or 500A or 500B	500±10mm
	3	COM	BLACK	18	MOLEX 500 or 500A or 500B	500±10mm
	4	+5V	RED	18	MOLEX 500 or 500A or 500B	500±10mm
	5	COM	BLACK	18	MOLEX 500 or 500A or 500B	500±10mm
	6	+5V	RED	18	MOLEX 500 or 500A or 500B	500±10mm
	7	COM	BLACK	18	MOLEX 500 or 500A or 500B	500±10mm
	8	PM-ON	GRAY	24	MOLEX 500 or 500A or 500B	500±10mm
	9	+5V	RED	18	MOLEX 500 or 500A or 500B	500±10mm
	10	COM	BLACK	18	MOLEX 500 or 500A or 500B	500±10mm
H8	1	+3.3V	ORANGE	18	MOLEX 500 or 500A or 500B	500±10mm
	2	+5V	RED	18	MOLEX 500 or 500A or 500B	500±10mm
	3	COM	BLACK	18	MOLEX 500 or 500A or 500B	500±10mm
	4	+5V	RED	18	MOLEX 500 or 500A or 500B	500±10mm
	5	COM	BLACK	18	MOLEX 500 or 500A or 500B	500±10mm
	6	+5V	RED	18	MOLEX 500 or 500A or 500B	500±10mm
	7	COM	BLACK	18	MOLEX 500 or 500A or 500B	500±10mm
	8	PM-ON	GRAY	24	MOLEX 500 or 500A or 500B	500±10mm
	9	+5V	RED	18	MOLEX 500 or 500A or 500B	500±10mm
	10	COM	BLACK	18	MOLEX 500 or 500A or 500B	500±10mm
H9	1	+12V1	YELLOW	20	MOLEX 500 or 500A or 500B	500±10mm
	2	+12V1	YELLOW	20	MOLEX 500 or 500A or 500B	500±10mm
	3	+12V1	YELLOW	20	MOLEX 500 or 500A or 500B	500±10mm
	4	+12V1	YELLOW	20	MOLEX 500 or 500A or 500B	500±10mm
	5	COM	BLACK	20	MOLEX 500 or 500A or 500B	500±10mm
	6	COM	BLACK	20	MOLEX 500 or 500A or 500B	500±10mm
	7	COM	BLACK	20	MOLEX 500 or 500A or 500B	500±10mm
	8	COM	BLACK	20	MOLEX 500 or 500A or 500B	500±10mm
	9	COM	BLACK	20	MOLEX 500 or 500A or 500B	500±10mm
	10	COM	BLACK	20	MOLEX 500 or 500A or 500B	500±10mm
H10	1	+12V1	YELLOW	20	MOLEX 500 or 500A or 500B	500±10mm
	2	+12V1	YELLOW	20	MOLEX 500 or 500A or 500B	500±10mm
	3	+12V1	YELLOW	20	MOLEX 500 or 500A or 500B	500±10mm
	4	+12V1	YELLOW	20	MOLEX 500 or 500A or 500B	500±10mm

NOTE:
1. ALL THE LENGTH OF OUTPUT WIRES EXCLUDE HOUSING.
2. 產地標籤依業務指示加貼。
3. 公差: .XX=±0.5 [0.02]、.XXX=±0.25 [0.01].

MODEL NO. : FSP650-50AAA(STD0001) TITLE: ASSY
R&D(1) PE DRAWN DATE
SHEET: 1 OF 1 REV:01

P/N.:9PA6508100

