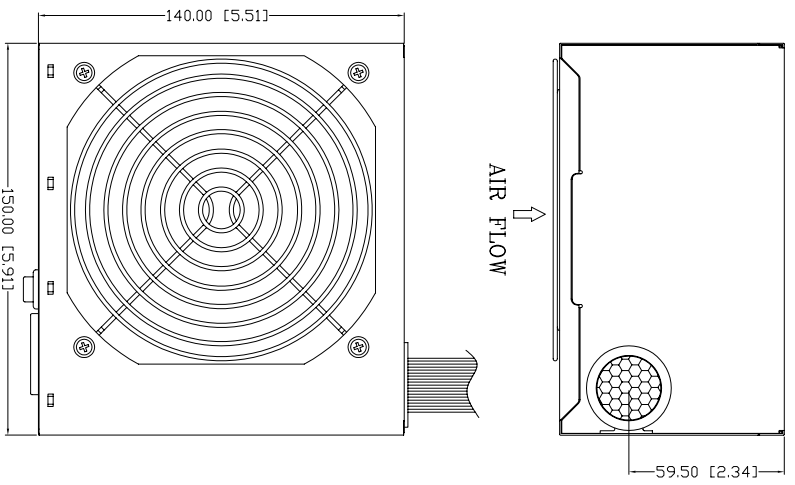
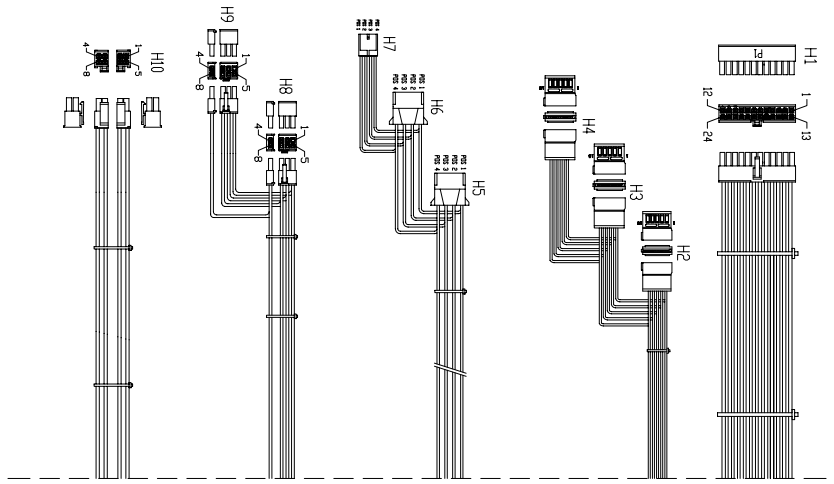
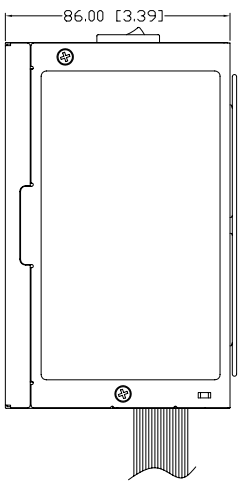
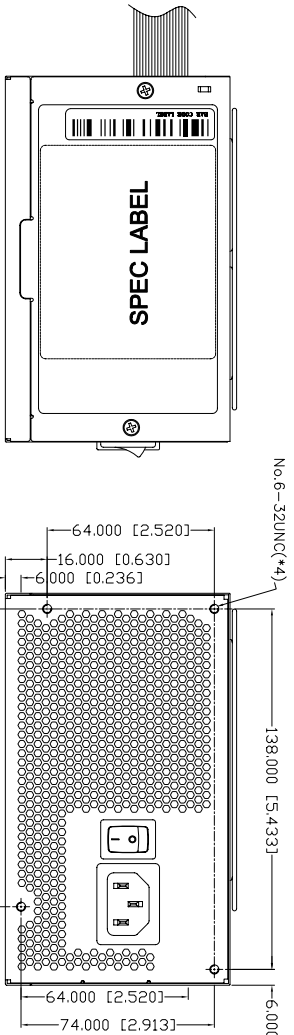


外觀圖





WIRE NO.	WIRE	DATE	CONNECTION	CABLE LENGTH
H1				
1	+3.3VDC ORANGE	18	MAIN +5V	500 ±18 mm
2	+5VDC BLACK	18	MAIN +5V	
3	5VDC RED	18	MAIN +5V	
4	+5VDC RED	18	MAIN +5V	
5	5VDC RED	18	MAIN +5V	
6	5VDC RED	18	MAIN +5V	
7	5VDC RED	18	MAIN +5V	
8	5VDC RED	18	MAIN +5V	
9	+5VDC RED	18	MAIN +5V	
10	+5VDC RED	20	MAIN +5V	
11	+5VDC RED	24	MAIN +5V	
12	+5VDC RED	18	MAIN +5V	
13	+3.3VDC ORANGE	18	MAIN +3.3V	
14	+3.3VDC ORANGE	24	MAIN +3.3V	
15	5VDC RED	18	MAIN +5V	
16	5VDC RED	18	MAIN +5V	
17	5VDC RED	18	MAIN +5V	
18	5VDC RED	18	MAIN +5V	
19	5VDC RED	18	MAIN +5V	
20	+5VDC RED	18	MAIN +5V	
21	+5VDC RED	18	MAIN +5V	
22	+5VDC RED	18	MAIN +5V	
23	+5VDC RED	18	MAIN +5V	
24	5VDC RED	24	MAIN +5V	
H2				
1	+3.3V ORANGE	18	MAIN +3.3V	400 ±18 mm
2	5VDC RED	18	MAIN +5V	
3	5VDC RED	18	MAIN +5V	
4	5VDC RED	18	MAIN +5V	
H3				
1	+3.3V ORANGE	18	MAIN +3.3V	100±10mm
2	5VDC RED	18	MAIN +5V	
3	5VDC RED	18	MAIN +5V	
4	5VDC RED	18	MAIN +5V	
H4				
1	+3.3V ORANGE	18	MAIN +3.3V	100±10mm
2	5VDC RED	18	MAIN +5V	
3	5VDC RED	18	MAIN +5V	
4	5VDC RED	18	MAIN +5V	
H5				
1	+12V YELLOW	18	MAIN +12V	400 ±18 mm
2	5VDC RED	18	MAIN +5V	
3	5VDC RED	18	MAIN +5V	
4	5VDC RED	18	MAIN +5V	
H6				
1	+12V YELLOW	18	MAIN +12V	100±10mm
2	5VDC RED	18	MAIN +5V	
3	5VDC RED	18	MAIN +5V	
4	5VDC RED	18	MAIN +5V	
H7				
1	+12V YELLOW	22	MAIN +12V	100±10mm
2	5VDC RED	22	MAIN +5V	
3	5VDC RED	22	MAIN +5V	
4	5VDC RED	22	MAIN +5V	
H8				
1	+12V YELLOW	18	MAIN +12V	500 ±18 mm
2	5VDC RED	18	MAIN +5V	
3	5VDC RED	18	MAIN +5V	
4	5VDC RED	18	MAIN +5V	
5	5VDC RED	18	MAIN +5V	
6	5VDC RED	18	MAIN +5V	
7	5VDC RED	18	MAIN +5V	
8	5VDC RED	18	MAIN +5V	
H9				
1	+12V YELLOW	20	MAIN +12V	100±10mm
2	5VDC RED	20	MAIN +5V	
3	5VDC RED	20	MAIN +5V	
4	5VDC RED	20	MAIN +5V	
5	5VDC RED	20	MAIN +5V	
6	5VDC RED	20	MAIN +5V	
7	5VDC RED	20	MAIN +5V	
8	5VDC RED	20	MAIN +5V	
H10				
1	5VDC RED	18	MAIN +5V	600 ±18 mm
2	5VDC RED	18	MAIN +5V	
3	5VDC RED	18	MAIN +5V	
4	5VDC RED	18	MAIN +5V	
5	5VDC RED	18	MAIN +5V	
6	5VDC RED	18	MAIN +5V	
7	5VDC RED	18	MAIN +5V	
8	5VDC RED	18	MAIN +5V	



P/N: 9PA6508600

NOTE:
1. ALL THE LENGTH OF OUTPUT WIRES EXCLUDE HOUSING.
2. 產地標識作業務指示加貼。
3. 公差: XX=±0.5 [0.02]、XXX=±0.25 [0.01].

修改程序/種類	修改事項	修改者/備註
1	1	1

MODEL NO. : FSP650-SOABA	TITLE: ASSY	SHEET: 1 OF 1	REV:02
R&D(1)	PE	DRAWN	DATE
			3/06/2020