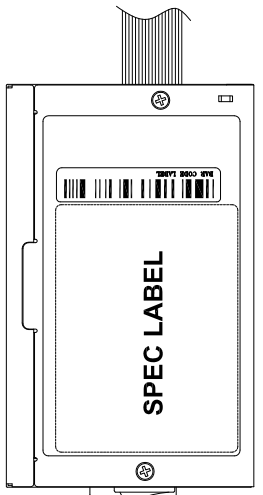
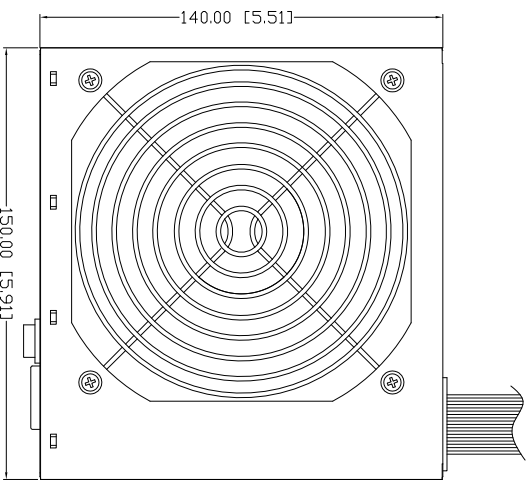
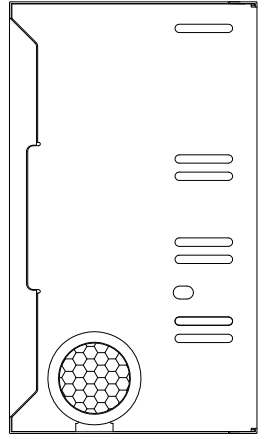
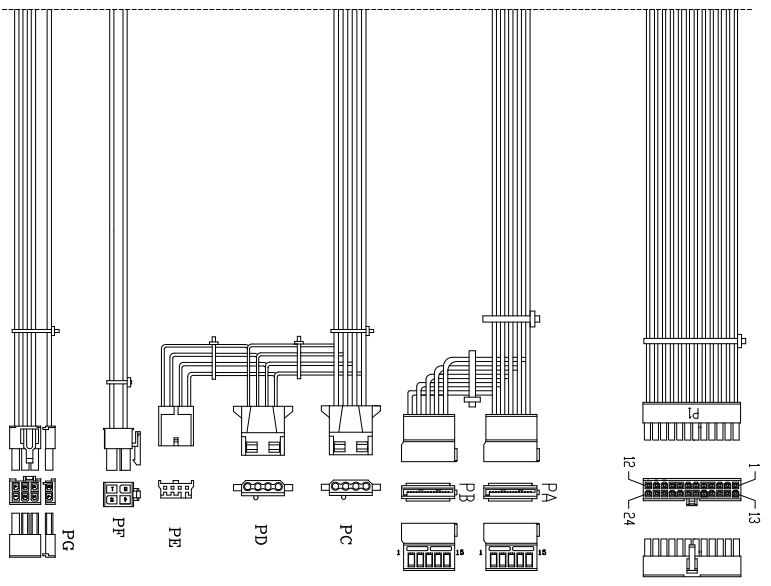
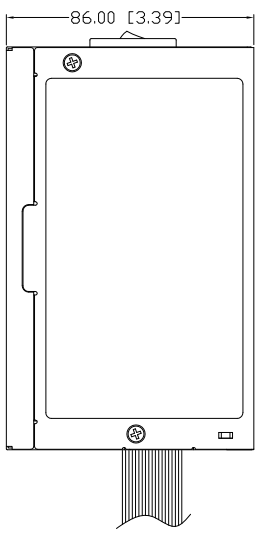
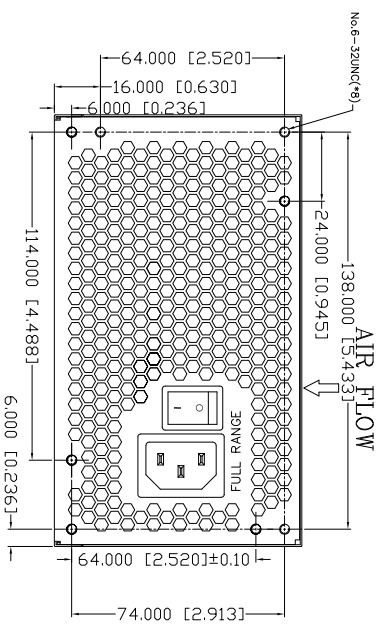


REF. ID.	FN	SIGNAL	WIRE COLOR	GAUGE	CONNECTOR TYPE	CABLE LENGTH
P1	1	+3.3VDC	ORANGE	18	MOLEX 8-940 or 941V	400 ±38 mm
	2	+3.3VDC	RED	18		
	3	COM	BLACK	18		
	4	+5VDC	RED	18		
	5	COM	BLACK	18		
	6	+5VDC	RED	18		
	7	COM	BLACK	18		
	8	PW-ON	GRAY	24		
	9	+5Vsb	PURPLE	18		
	10	+12V1	YELLOW	18		
	11	+12V2	ORANGE	18		
	12	+3.3VDC	ORANGE	18		
	13	+3.3Vsb	BROWN	24		
	14	-12VDC	BLUE	24		
	15	COM	BLACK	18		
	16	PS-ON	GREEN	24		
	17	COM	BLACK	18		
	18	COM	BLACK	18		
	19	COM	BLACK	18		
	20	+5VDC	RED	18		
	21	+5VDC	RED	18		
	22	+5VDC	RED	18		
	23	+5VDC	RED	18		
	24	COM	BLACK	18		
PA	1	+3.3V	ORANGE	18	MOLEX 8P-9488-001 or 941V	300 ±38 mm
	2	COM	BLACK	18		
PB	1	+5V	RED	18	MOLEX 150±10mm	
	2	COM	BLACK	18		
	3	+5V	RED	18		
	4	COM	BLACK	18		
PC	1	+12V1	YELLOW	18	AMP 1-40822-0 or 941V	300 ±38 mm
	2	COM	BLACK	18		
	3	COM	BLACK	18		
	4	+5V	RED	18		
	5	+12V1	YELLOW	18		
PD	1	+12V1	YELLOW	18	AMP 146022-0 or 941V	150±10mm
	2	COM	BLACK	18		
	3	COM	BLACK	18		
	4	+5V	RED	18		
PE	1	+12V1	YELLOW	22	AMP 17822-4 or 941V	150±10mm
	2	COM	BLACK	22		
	3	COM	BLACK	22		
PF	1	+5V	RED	22	MOLEX 8-940 or 941V	350 ±38 mm
	2	COM	BLACK	18		
	3	+12V1	YELLOW	18		
	4	+12V1	YELLOW	18		
PG	1	+12V1	YELLOW	18	(WST) P-44222-1-8 or 941V	400 ±38 mm
	2	+12V1	YELLOW	18		
	3	COM	BLACK	18		
	4	COM	BLACK	18		
5	COM	BLACK	18			
6	COM	BLACK	18			
7	COM	BLACK	18			
8	COM	BLACK	18			



△ WAGOPLUS LABEL



- NOTE:
1. ALL THE LENGTH OF OUTPUT WIRES EXCLUDE HOUSING.
  2. 產地標籤依業務指示加貼.
  3. 公差: .XX=±0.5 [0.02]、.XXX=±0.25 [0.01].

UNIT:mm

MODEL NO. : FSP500-50ERN	TITLE: ASSY	SHEET: 1 OF 1	REV:05
R&D(1)	PE	DRAWN	DATE
			6/26/2015

P/N.:9PA5009300