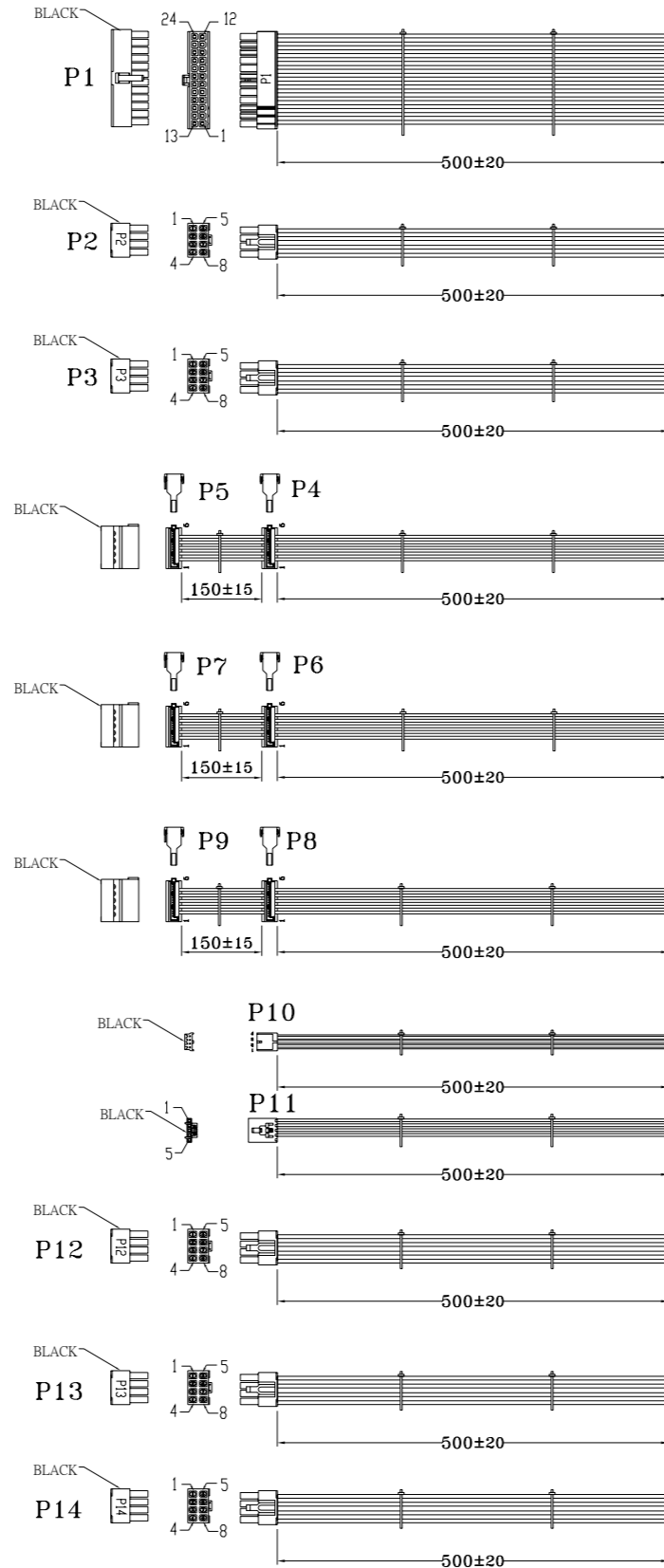
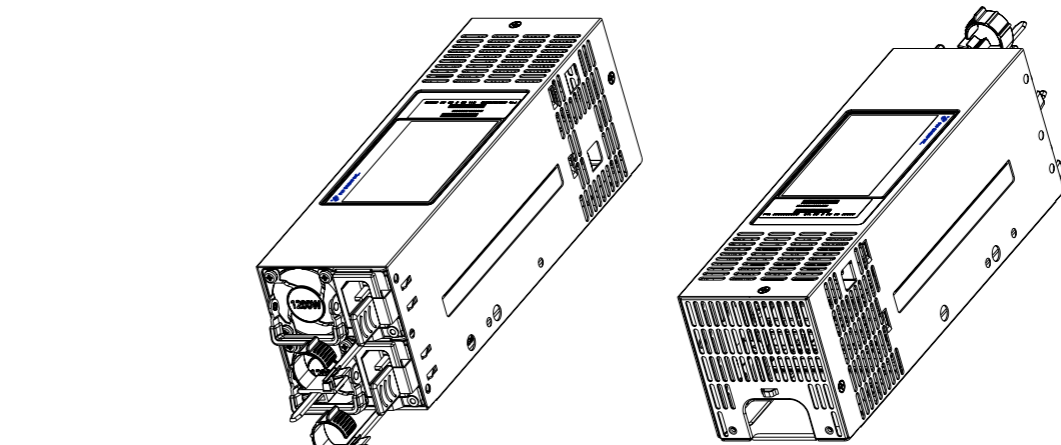


REF. ID	PIN NO.	SIGNAL	WIRE COLOR	GAUGE	CONNECTOR TYPE	CABLE LENGTH	
P1	1	+3.3V	ORANGE	18	MOLEX 39-01-3245 or EQUIV.	500±20mm	
	2	+3.3V	ORANGE	18			
	3	COM	BLACK	18			
	4	+5V	RED	18			
	5	COMsense	BLACK	24			
	6	+5V	RED	18			
	7	COM	BLACK	18			
	8	PWOK	GRAY	24			
	9	+5Vsb	PURPLE	18			
	10	+5Vsb	PURPLE	24			
	11	+12V	YELLOW	18			
	12	+12V	YELLOW	24			
	13	+3.3V	ORANGE	18			
	14	+3.3V	ORANGE	24			
	15	-12V	BLUE	18			
	16	COM	BLACK	18			
	17	PSON	GREEN	24			
	18	COM	BLACK	18			
	19	COM	BLACK	18			
	20						
	21	+5V	RED	18			
	22	+5V	RED	18			
	23	+5V	RED	18			
	24	+5V	RED	24			
P2	1	COM	BLACK	18	WST P8-142002-B or EQUIV.	500±20mm	
	2	COM	BLACK	18			
	3	COM	BLACK	18			
	4	COM	BLACK	18			
	5	+12V	YELLOW	18			
	6	+12V	YELLOW	18			
	7	+12V	YELLOW	18			
	8	+12V	YELLOW	18			
P3	1	COM	BLACK	18	WST P8-142002-B or EQUIV.	500±20mm	
	2	COM	BLACK	18			
	3	COM	BLACK	18			
	4	COM	BLACK	18			
	5	+12V	YELLOW	18			
	6	+12V	YELLOW	18			
	7	+12V	YELLOW	18			
	8	+12V	YELLOW	18			
P4	1	+3.3V	ORANGE	18	MOLEX SD-67928-0011 or EQUIV.	500±20mm	
	2	COM	BLACK	18			
	3	+5V	RED	18			
	4	COM	BLACK	18			
	5	+12V	YELLOW	18			
P5	1	+3.3V	ORANGE	18	MOLEX SD-67928-0011 or EQUIV.	150±15mm	
	2	COM	BLACK	18			
	3	+5V	RED	18			
	4	COM	BLACK	18			
	5	+12V	YELLOW	18			
P6	1	+3.3V	ORANGE	18	MOLEX SD-67928-0011 or EQUIV.	500±20mm	
	2	COM	BLACK	18			
	3	+5V	RED	18			
	4	COM	BLACK	18			
	5	+12V	YELLOW	18			
P7	1	+3.3V	ORANGE	18	MOLEX SD-67928-0011 or EQUIV.	150±15mm	
	2	COM	BLACK	18			
	3	+5V	RED	18			
	4	COM	BLACK	18			
	5	+12V	YELLOW	18			
P8	1	+3.3V	ORANGE	18	MOLEX SD-67928-0011 or EQUIV.	500±20mm	
	2	COM	BLACK	18			
	3	+5V	RED	18			
	4	COM	BLACK	18			
	5	+12V	YELLOW	18			
P9	1	+3.3V	ORANGE	18	MOLEX SD-67928-0011 or EQUIV.	150±15mm	
	2	COM	BLACK	18			
	3	+5V	RED	18			
	4	COM	BLACK	18			
	5	+12V	YELLOW	18			
P10	1	+5V	RED	22	AMP 171822-4 or EQUIV.	500±20mm	
	2	COM	BLACK	22			
	3	COM	BLACK	22			
	4	+12V	YELLOW	22			
P11	1	SMBus Clock	Green	24	MOLEX 6057-8405 or EQUIV.	500±20mm	
	2	SMBus Data	Yellow	24			
	3	SMBAlert	White	24			
	4	COM	Black	24			
	5						
P12	1	COM	BLACK	18	WST P8-142002-B or EQUIV.	500±20mm	
	2	COM	BLACK	18			
	3	COM	BLACK	18			
P13	4	COM	BLACK	18	WST P8-142002-B or EQUIV.	500±20mm	
	5	+12V	YELLOW	18			
P14	6	+12V	YELLOW	18	WST P8-142002-B or EQUIV.	500±20mm	
	8	+12V	YELLOW	18			

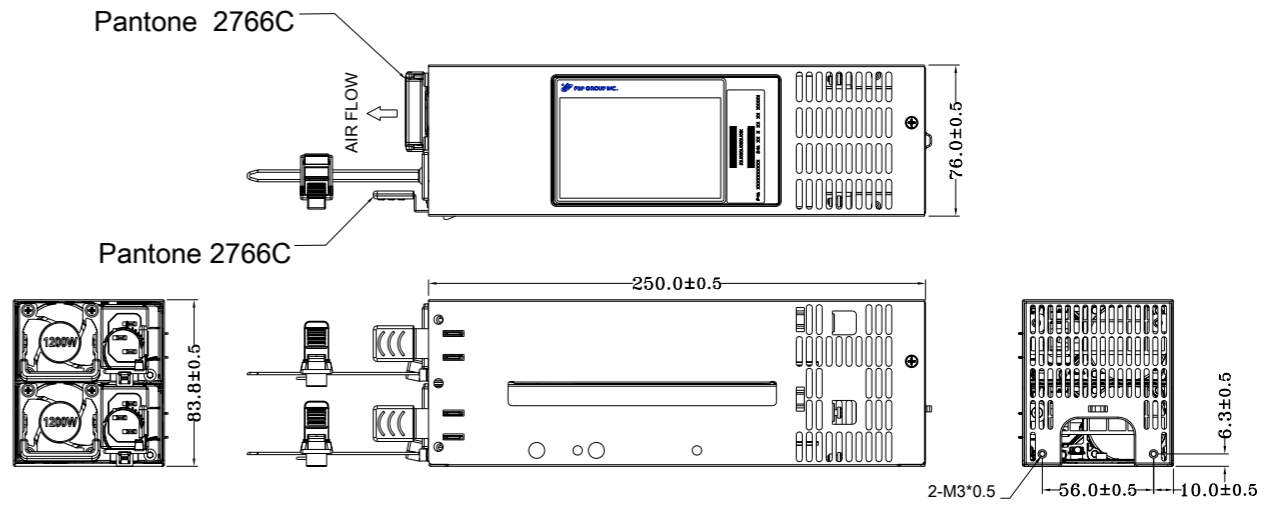


NOTE:
1. ALL THE LENGTH OF OUTPUT WIRES EXCLUDE HOUSING.
2. 黑色塑膠線扣出貨時,不須組裝,與POWER一同放入塑膠袋再放入包材.

UNIT:mm



Wire Mount Black



P/N.:9PR12A0200

MODEL NO.:FSP1200-50ERS		TITLE: OUTLINE			SHEET: 1 OF 1	REV:01
RD12	PE	CHECKED	DESIGN	DRAWN	DATE	
				Joe	Oct.13.2016	