

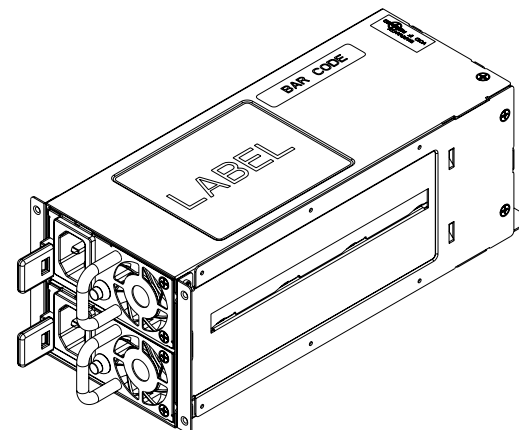
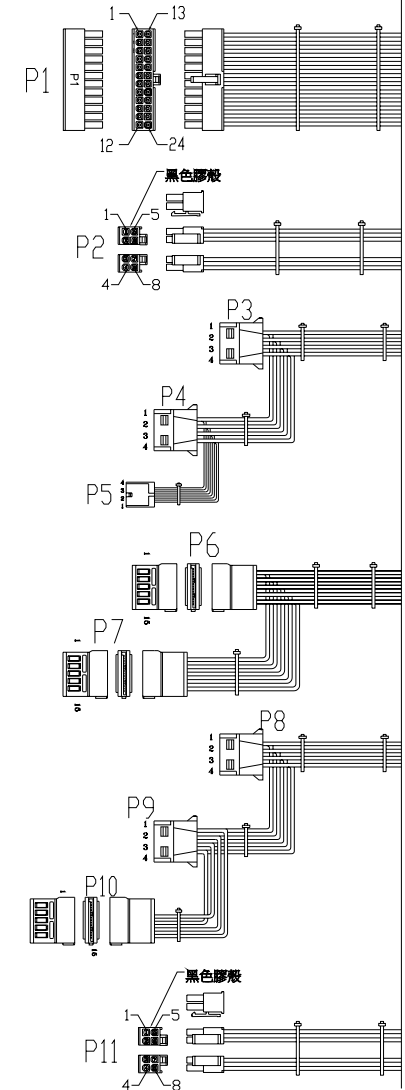
| 序號 | 修改版次 | 修改事項 | 備註 |
|----|------|--------------------|----|
| 1 | △ | 變更CASE, 改為鎖螺絲對稱支架 | |
| 2 | △ | 變更支架為50A0072003GP。 | |

NOTE:

- ALL THE LENGTH OF OUTPUT WIRES EXCLUDE HOUSING.
- 產地標籤依業務指示加貼。
(Label of origin is marked if indicated by sales.)
- 公差: .XX±0.5 [0.02]、.XXX±0.25 [0.01].

UNIT:mm [inch]

| REF. ID | PIN NO. | RATING | WIRE COLOR | WIRE TYPE | CONNECTOR TYPE | CABLE LENGTH |
|---------|---------|--------|------------|---------------|------------------------------|--------------|
| P1 | 1 | +3.3V | ORANGE | UL1007 18 AWG | MOLEX 39-01-2240 or EQUIV. | 585±15 mm |
| | 2 | +3.3V | ORANGE | UL1007 18 AWG | | |
| | 3 | COM | BLACK | UL1007 18 AWG | | |
| | 4 | +5V | RED | UL1007 18 AWG | | |
| | 5 | COM | BLACK | UL1007 18 AWG | | |
| | 6 | +5V | RED | UL1007 18 AWG | | |
| | 7 | COM | BLACK | UL1007 18 AWG | | |
| | 8 | PW BK | GRAY | UL1007 22 AWG | | |
| | 9 | +5VSB | PURPLE | UL1007 16 AWG | | |
| | 10 | +12V | YELLOW | UL1007 18 AWG | | |
| | 11 | +12V | YEL/BLK | UL1007 24 AWG | | |
| | 12 | +3.3V | ORANGE | UL1007 18 AWG | | |
| | 13 | +3.3V | ORANGE | UL1007 18 AWG | | |
| | 14 | +3.3V | ORANGE | UL1007 24 AWG | | |
| | 15 | +12V | BLUE | UL1007 20 AWG | | |
| | 16 | COM | BLACK | UL1007 18 AWG | | |
| | 17 | PS DN | GREEN | UL1007 22 AWG | | |
| | 18 | COM | BLACK | UL1007 18 AWG | | |
| | 19 | COM | BLACK | UL1007 18 AWG | | |
| P2 | 1 | +5V | RED | UL1007 18 AWG | WBT P4-142002BK3B or EQUIV. | 585±15 mm |
| | 2 | +5V | RED | UL1007 18 AWG | | |
| | 3 | COM | BLACK | UL1007 18 AWG | | |
| | 4 | COM | BLACK | UL1007 18 AWG | | |
| | 5 | +12V | YELLOW | UL1007 18 AWG | | |
| | 6 | +12V | YELLOW | UL1007 18 AWG | | |
| | 7 | +12V | YELLOW | UL1007 18 AWG | | |
| | 8 | +12V | YELLOW | UL1007 18 AWG | | |
| P3 | 1 | +12V | YELLOW | UL1007 20 AWG | AMP 1-480484-0 or EQUIV. | 375±15 mm |
| | 2 | COM | BLACK | UL1007 20 AWG | | |
| P8 | 3 | COM | BLACK | UL1007 20 AWG | AMP 1-480484-0 or EQUIV. | 160±15 mm |
| | 4 | +5V | RED | UL1007 20 AWG | | |
| P4 | 1 | +12V | YELLOW | UL1007 20 AWG | AMP 1-480484-0 or EQUIV. | 160±15 mm |
| | 2 | COM | BLACK | UL1007 20 AWG | | |
| P9 | 3 | COM | BLACK | UL1007 20 AWG | AMP 171828-4 or EQUIV. | 160±15 mm |
| | 4 | +5V | RED | UL1007 20 AWG | | |
| P5 | 1 | +5V | RED | UL1007 20 AWG | AMP 171828-4 or EQUIV. | 160±15 mm |
| | 2 | COM | BLACK | UL1007 20 AWG | | |
| P6 | 3 | COM | BLACK | UL1007 20 AWG | MOLEX 8D-87682-001 or EQUIV. | 430±15 mm |
| | 4 | +12V | YELLOW | UL1007 20 AWG | | |
| P7 | 1 | +3.3V | ORANGE | UL1007 20 AWG | MOLEX 8D-87682-001 or EQUIV. | 200±15 mm |
| | 2 | COM | BLACK | UL1007 20 AWG | | |
| P10 | 3 | +5V | RED | UL1007 20 AWG | MOLEX 8D-87682-001 or EQUIV. | 200±15 mm |
| | 4 | COM | BLACK | UL1007 20 AWG | | |
| P11 | 1 | +12V | YELLOW | UL1007 20 AWG | MOLEX 8D-87682-001 or EQUIV. | 515±15 mm |
| | 2 | COM | BLACK | UL1007 20 AWG | | |
| P11 | 3 | +5V | RED | UL1007 20 AWG | WBT P4-142002BK3B or EQUIV. | 515±15 mm |
| | 4 | COM | BLACK | UL1007 18 AWG | | |
| P11 | 5 | +12V | YELLOW | UL1007 18 AWG | WBT P4-142002BK3B or EQUIV. | 515±15 mm |
| | 6 | COM | BLACK | UL1007 18 AWG | | |
| P11 | 7 | +12V | YELLOW | UL1007 18 AWG | WBT P4-142002BK3B or EQUIV. | 515±15 mm |
| | 8 | +12V | YELLOW | UL1007 18 AWG | | |



P/N.: 9PR6000900

| | | | | |
|-------------------------------------|----|-------------|---------------|--------|
| MODEL NO. : FSP600-50RGVHN,(STD001) | | TITLE: ASSY | SHEET: 1 OF 1 | REV:05 |
| R&D(2) | PE | DRAWN | DATE | |
| | | Patty | 2019-10-15 | |
| | | | | |