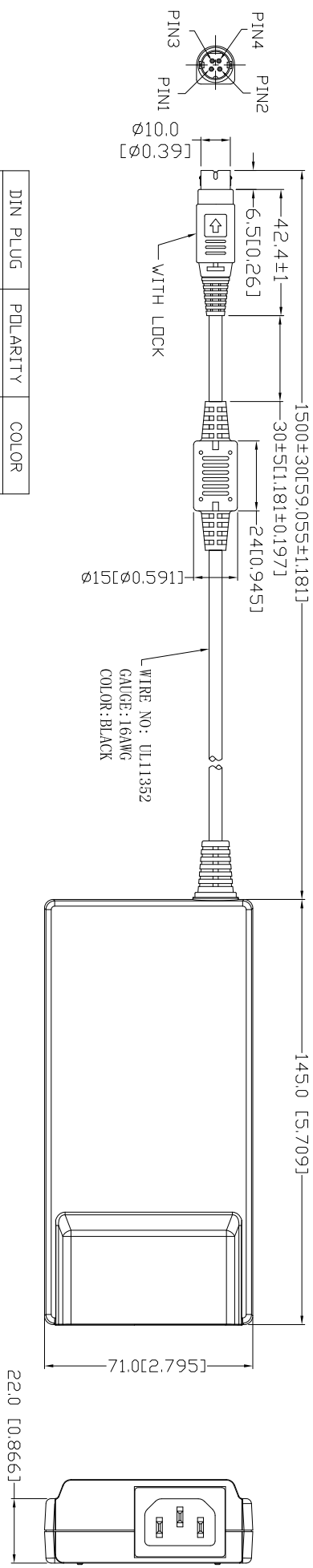
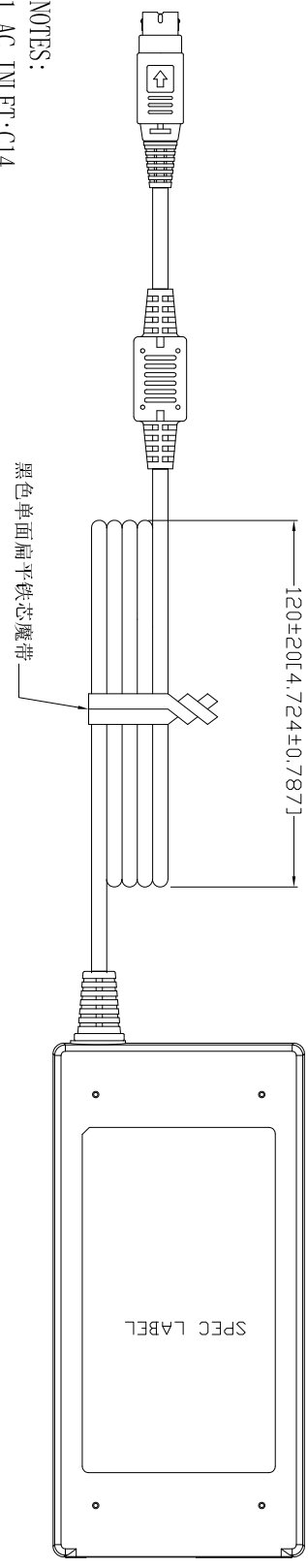
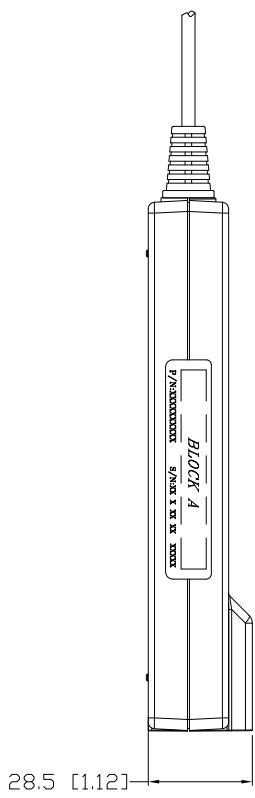


UNIT:mm[inch]

REV	修改内容
2	CORE MOLDING圖示修正



DIN PLUG	POLARITY	COLOR
P2	V0(+)	WHITE
P4	SHIELD	
P1		
P3	GND(-)	BLACK



P/N.:9NA0907000

- NOTES:
1. AC INLET: C14
  2. CASE COLOR: BLACK
  3. PLUG: Kycon KPPX-4P OR EQU
  4. 未注公差为: ±0.5mm[0.020inch]
  5. 超音熔接

MODEL NO.: FSP090M-RHA	OUTLINE		
R&D(SH)	P E	DRAWN	DATE
		HUYF	12/SEP/16'
			SHEET: 1 OF 1 REV: 2