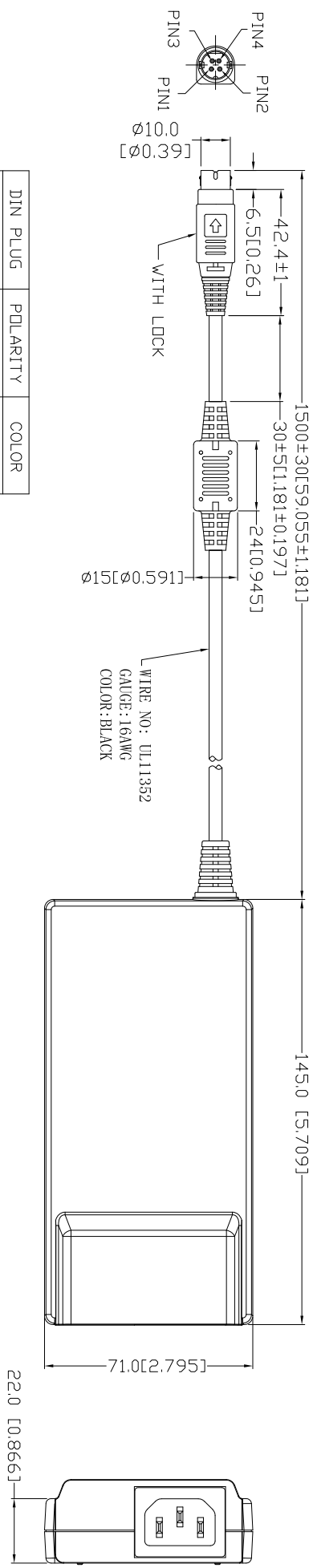
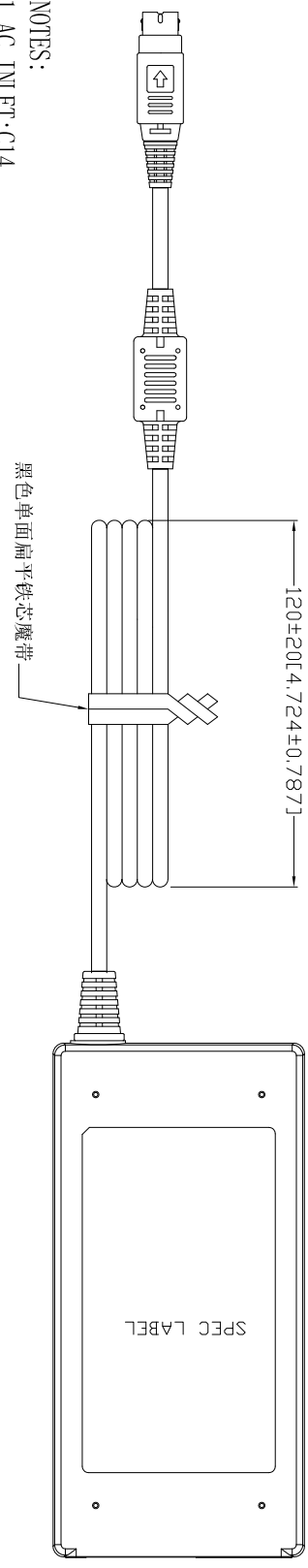
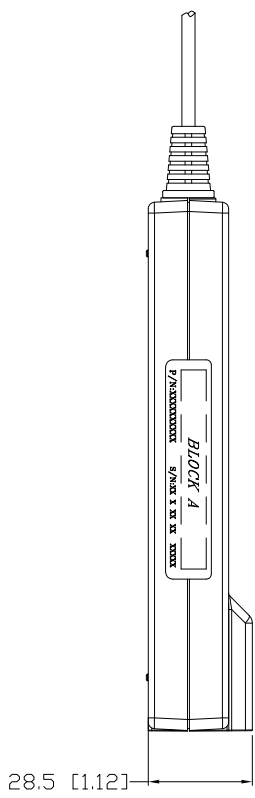


UNIT:mm[inch]

REV	修改内容
-----	------



DIN PLUG	POLARITY	COLOR
P2	V(+)	WHITE
P4	SHIELD	
P1		
P3	GND(-)	BLACK



- NOTES:
1. AC INLET: C14
 2. CASE COLOR: BLACK
 3. PLUG: Kycon KPPX-4P OR EQU
 4. 未注公差为: ±0.5mm [0.020inch]
 5. 超音熔接

P/N.:9NA0907300

MODEL NO.: FSP090M-RHA	OUTLINE		
R&D(SH)	P E	DRAWN	DATE
		HUYF	12/SEP/16'
			SHEET: 1 OF 1 REV: 1