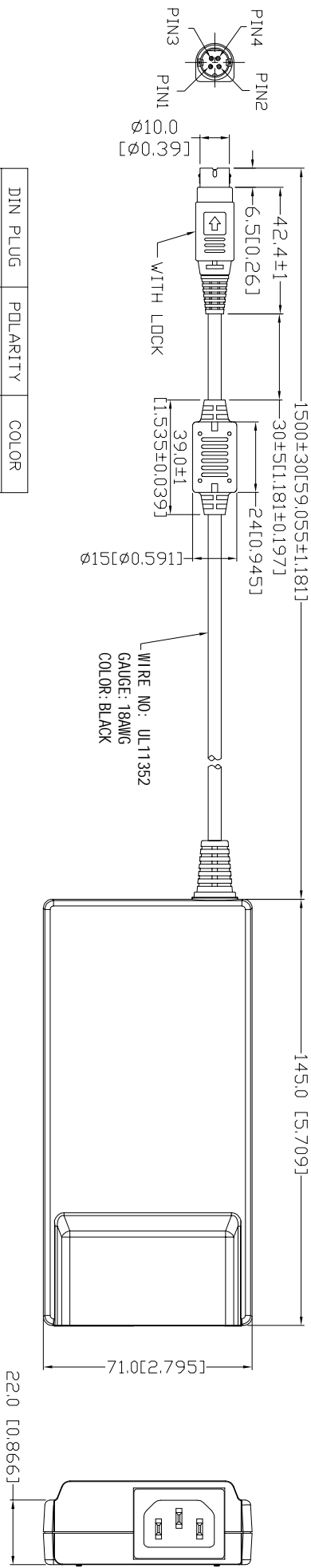
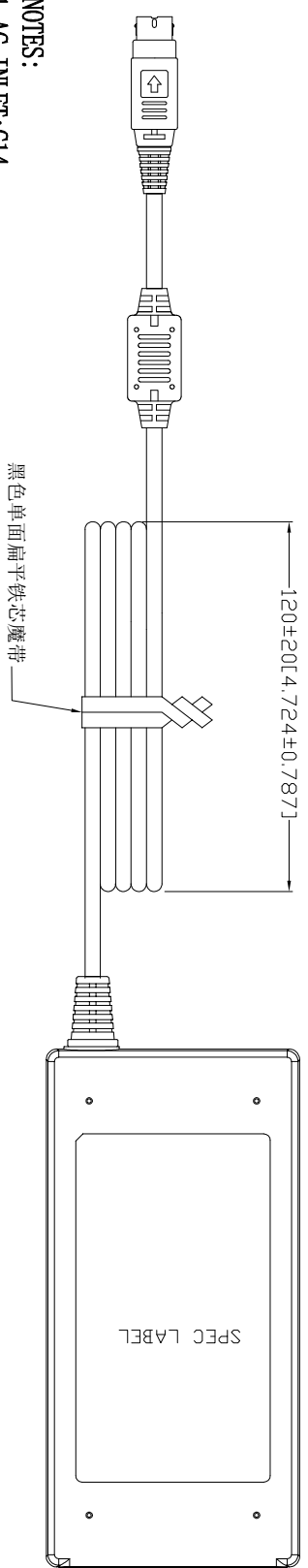
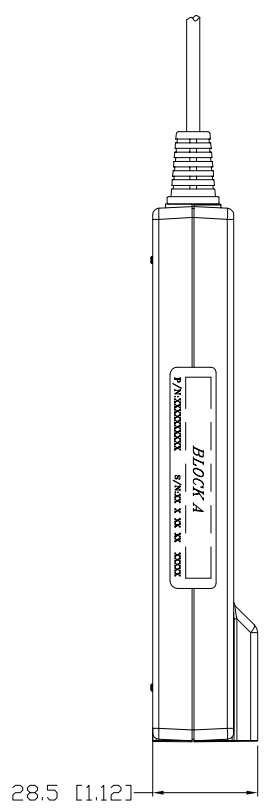


UNIT:mm[inch]

REV	修改内容
2	CORE MOLDING指示修正
3	CORE MOLDING指示修正



DIN PLUG	POLARITY	COLOR
P2	V0(+)	WHITE
P4		
SHIELD		
P1	GND(-)	BLACK
P3		



- NOTES:
1. AC INLET:C14
 2. CASE COLOR:BLACK
 - 3:PLUG:Kycon KPPX-4P OR EQU
 4. 未注公差为: ±0.5mm [0.020inch]
 5. 超音熔接

P/N.:9NA0907100

MODEL NO.:	FSP090M-RAA	OUTLINE	SHEET: 1 OF 1	REV:3
R&D(SH)	P E	DRAWN	HUYF	DATE
				18/JUL/17'