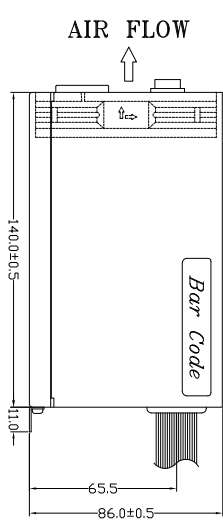
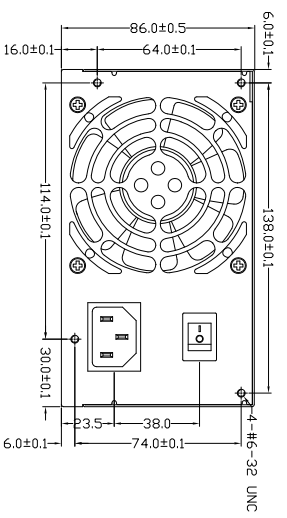
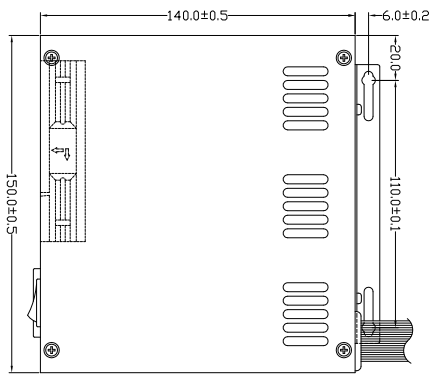
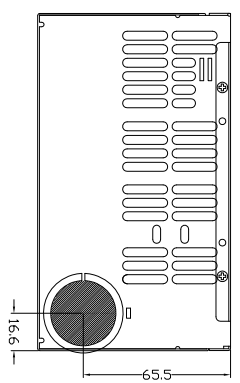


NOTE:

1. ALL THE LENGTH OF OUTPUT WIRES EXCLUDE HOUSING.
2. 產地標籤依業務指示加貼.

UNIT:mm



REF. ID.	PN	SIGNAL	WIRE COLOR	GAUGE	CONSTRUCTOR TYPE	CABLE LENGTH
P1	1	+3.3VDC	ORANGE	18	MOLEX	500±15mm
	2	+5VDC	RED	18	22#40 or EQUIV.	
	3	+5VDC	RED	18		
	4	+5VDC	RED	18		
	5	+5VDC	RED	18		
P2	1	+12V1	Yel/Black	18	MOLEX	500±15mm
	2	+12V1	Yel/Black	18	20#60 or EQUIV.	
	3	+12V1	Yel/Black	18		
	4	+12V1	Yel/Black	18		
	5	+12V1	Yel/Black	18		
	6	+12V1	Yel/Black	18		
	7	+12V1	Yel/Black	18		
	8	+12V1	Yel/Black	18		
	9	+12V1	Yel/Black	18		
	10	+12V1	Yel/Black	18		
P3	1	COM	BLACK	18		
	2	COM	BLACK	18		
	3	COM	BLACK	18		
	4	COM	BLACK	18		
	5	COM	BLACK	18		
	6	COM	BLACK	18		
	7	COM	BLACK	18		
	8	COM	BLACK	18		
PA	1	+5V	RED	18	AMP	1-460±4 -0-500±15mm or EQUIV.
	2	+5V	RED	18		
	3	+5V	RED	18		
	4	+5V	RED	18		
PB	1	+5V	RED	18	AMP	1-460±4 -0-500±15mm or EQUIV.
	2	+5V	RED	18		
	3	+5V	RED	18		
	4	+5V	RED	18		
PC	1	+5V	RED	18	AMP	171±2 -4 -155±10mm or EQUIV.
	2	+5V	RED	18		
	3	+5V	RED	18		
	4	+5V	RED	18		
PD	1	+5V	RED	18	C1271H80	500±15mm
	2	+5V	RED	18	-1P	
	3	+5V	RED	18	or EQUIV.	
	4	+5V	RED	18		
PE	1	+5.3VDC	ORANGE	18	C1270H00	155±10mm
	2	+5.3VDC	ORANGE	18	-1P	
	3	+5.3VDC	ORANGE	18	or EQUIV.	
	4	+5.3VDC	ORANGE	18		
PF	1	+5.3VDC	ORANGE	18	C1271H80	500±15mm
	2	+5.3VDC	ORANGE	18	-1P	
	3	+5.3VDC	ORANGE	18	or EQUIV.	
	4	+5.3VDC	ORANGE	18		
PG	1	+12V2	YELLOW	18	C1270H00	155±10mm
	2	+12V2	YELLOW	18	-1P	
	3	+12V2	YELLOW	18	or EQUIV.	
	4	+12V2	YELLOW	18		

+12V1孔	P3(PIN1,2,3)	MODEL NO. : FSP400-70MPD	R&D(2)	PE	TITLE: ASSY	SHEET: 1 OF 1 REV:01
+12V2孔	P2(PIN5,6,7,8)				DRAWN	DATE
+12V3孔	P1,PA,PD,PF		INTERIOR COUNTERSIGN:		樂家龍	Sep.16.2014

P/N.:9PA400BJ00