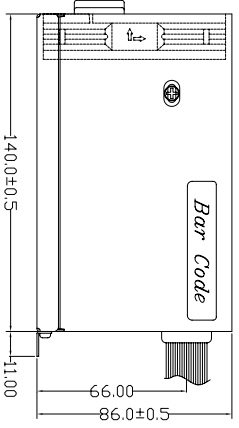
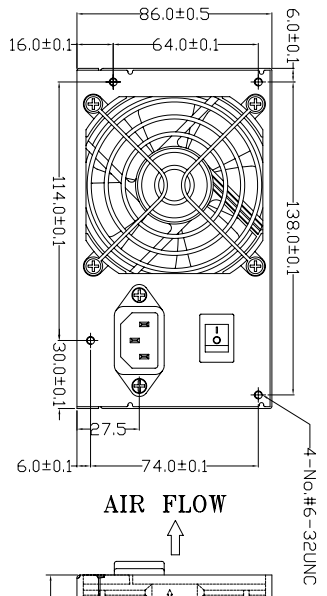
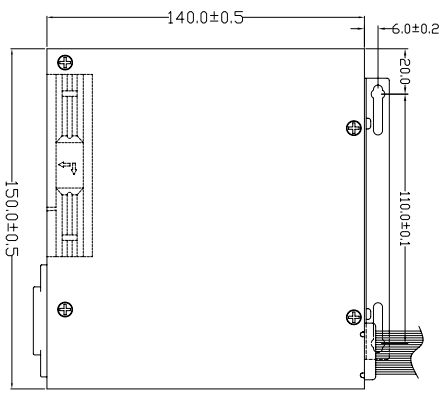
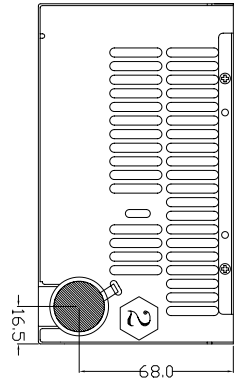
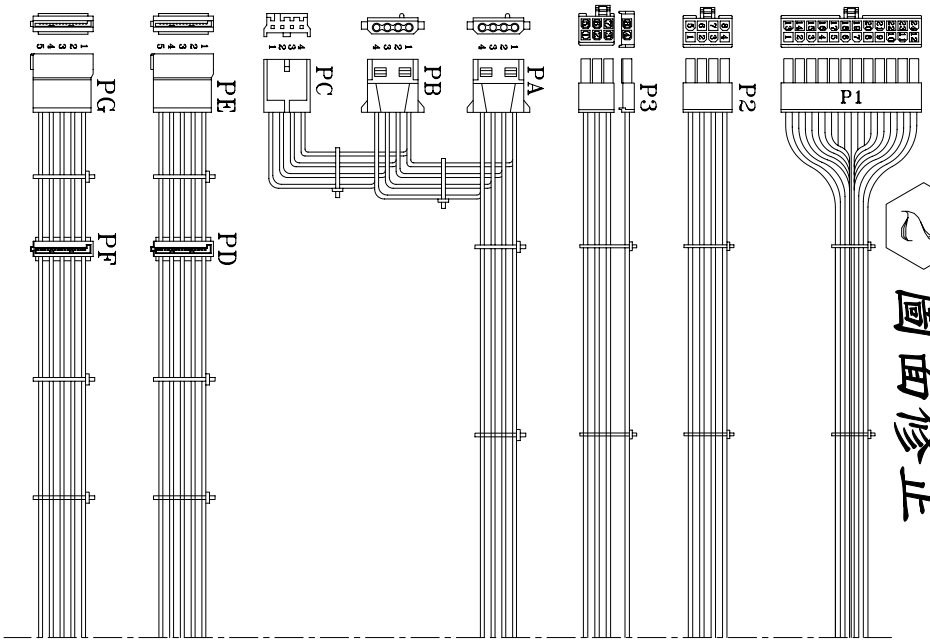


圖面修正



REF ID	NO.	SIGNAL	COLOR	TYPE	DATE	CONNECTION	WIRE LENGTH
P1	1	+3.3VDC	ORANGE	16	MOLJK	39-01-	500±15mm
	2	+3.3VDC	ORANGE	16	MOLJK	39-01-	500±15mm
	3	COM	BLACK	18	MOLJK	2240	
	4	+5VDC	RED	18	MOLJK		
	5	+5VDC	RED	18	MOLJK		
	6	+5VDC	RED	18	MOLJK		
	7	COM	BLACK	18	MOLJK		
	8	PS-ON	GRAY	22	MOLJK		
	9	+5VDC	RED	18	MOLJK		
	10	+5VDC	RED	18	MOLJK		
P2	1	+3.3VDC	ORANGE	16	MOLJK	39-01-	500±15mm
	2	+3.3VDC	ORANGE	16	MOLJK	39-01-	500±15mm
	3	COM	BLACK	18	MOLJK	2009	
	4	COM	BLACK	18	MOLJK	2009	
	5	+5VDC	RED	18	MOLJK	2009	
	6	+5VDC	RED	18	MOLJK	2009	
	7	+5VDC	RED	18	MOLJK	2009	
	8	+5VDC	RED	18	MOLJK	2009	
	9	+5VDC	RED	18	MOLJK	2009	
	10	+5VDC	RED	18	MOLJK	2009	
P3	1	+5V	RED	18	MOLJK	171922-4	500±15mm
	2	+5V	RED	18	MOLJK	171922-4	500±15mm
	3	COM	BLACK	18	MOLJK	171922-4	500±15mm
	4	COM	BLACK	18	MOLJK	171922-4	500±15mm
	5	COM	BLACK	18	MOLJK	171922-4	500±15mm
	6	COM	BLACK	18	MOLJK	171922-4	500±15mm
	7	COM	BLACK	18	MOLJK	171922-4	500±15mm
	8	COM	BLACK	18	MOLJK	171922-4	500±15mm
	9	COM	BLACK	18	MOLJK	171922-4	500±15mm
	10	COM	BLACK	18	MOLJK	171922-4	500±15mm
PA	1	+5V	RED	18	MOLJK	171922-4	500±15mm
	2	+5V	RED	18	MOLJK	171922-4	500±15mm
	3	COM	BLACK	18	MOLJK	171922-4	500±15mm
	4	COM	BLACK	18	MOLJK	171922-4	500±15mm
	5	COM	BLACK	18	MOLJK	171922-4	500±15mm
	6	COM	BLACK	18	MOLJK	171922-4	500±15mm
	7	COM	BLACK	18	MOLJK	171922-4	500±15mm
	8	COM	BLACK	18	MOLJK	171922-4	500±15mm
	9	COM	BLACK	18	MOLJK	171922-4	500±15mm
	10	COM	BLACK	18	MOLJK	171922-4	500±15mm
PB	1	+5V	RED	18	MOLJK	171922-4	500±15mm
	2	+5V	RED	18	MOLJK	171922-4	500±15mm
	3	COM	BLACK	18	MOLJK	171922-4	500±15mm
	4	COM	BLACK	18	MOLJK	171922-4	500±15mm
	5	COM	BLACK	18	MOLJK	171922-4	500±15mm
	6	COM	BLACK	18	MOLJK	171922-4	500±15mm
	7	COM	BLACK	18	MOLJK	171922-4	500±15mm
	8	COM	BLACK	18	MOLJK	171922-4	500±15mm
	9	COM	BLACK	18	MOLJK	171922-4	500±15mm
	10	COM	BLACK	18	MOLJK	171922-4	500±15mm
PC	1	+3.3VDC	ORANGE	16	MOLJK	155±10mm	
	2	+3.3VDC	ORANGE	16	MOLJK	155±10mm	
	3	COM	BLACK	18	MOLJK	155±10mm	
	4	COM	BLACK	18	MOLJK	155±10mm	
	5	COM	BLACK	18	MOLJK	155±10mm	
	6	COM	BLACK	18	MOLJK	155±10mm	
	7	COM	BLACK	18	MOLJK	155±10mm	
	8	COM	BLACK	18	MOLJK	155±10mm	
	9	COM	BLACK	18	MOLJK	155±10mm	
	10	COM	BLACK	18	MOLJK	155±10mm	
PD	1	+3.3VDC	ORANGE	16	MOLJK	155±10mm	
	2	+3.3VDC	ORANGE	16	MOLJK	155±10mm	
	3	COM	BLACK	18	MOLJK	155±10mm	
	4	COM	BLACK	18	MOLJK	155±10mm	
	5	COM	BLACK	18	MOLJK	155±10mm	
	6	COM	BLACK	18	MOLJK	155±10mm	
	7	COM	BLACK	18	MOLJK	155±10mm	
	8	COM	BLACK	18	MOLJK	155±10mm	
	9	COM	BLACK	18	MOLJK	155±10mm	
	10	COM	BLACK	18	MOLJK	155±10mm	
PE	1	+3.3VDC	ORANGE	16	MOLJK	155±10mm	
	2	+3.3VDC	ORANGE	16	MOLJK	155±10mm	
	3	COM	BLACK	18	MOLJK	155±10mm	
	4	COM	BLACK	18	MOLJK	155±10mm	
	5	COM	BLACK	18	MOLJK	155±10mm	
	6	COM	BLACK	18	MOLJK	155±10mm	
	7	COM	BLACK	18	MOLJK	155±10mm	
	8	COM	BLACK	18	MOLJK	155±10mm	
	9	COM	BLACK	18	MOLJK	155±10mm	
	10	COM	BLACK	18	MOLJK	155±10mm	
PF	1	+3.3VDC	ORANGE	16	MOLJK	500±15mm	
	2	+3.3VDC	ORANGE	16	MOLJK	500±15mm	
	3	COM	BLACK	18	MOLJK	500±15mm	
	4	COM	BLACK	18	MOLJK	500±15mm	
	5	COM	BLACK	18	MOLJK	500±15mm	
	6	COM	BLACK	18	MOLJK	500±15mm	
	7	COM	BLACK	18	MOLJK	500±15mm	
	8	COM	BLACK	18	MOLJK	500±15mm	
	9	COM	BLACK	18	MOLJK	500±15mm	
	10	COM	BLACK	18	MOLJK	500±15mm	
PG	1	+3.3VDC	ORANGE	16	MOLJK	155±10mm	
	2	+3.3VDC	ORANGE	16	MOLJK	155±10mm	
	3	COM	BLACK	18	MOLJK	155±10mm	
	4	COM	BLACK	18	MOLJK	155±10mm	
	5	COM	BLACK	18	MOLJK	155±10mm	
	6	COM	BLACK	18	MOLJK	155±10mm	
	7	COM	BLACK	18	MOLJK	155±10mm	
	8	COM	BLACK	18	MOLJK	155±10mm	
	9	COM	BLACK	18	MOLJK	155±10mm	
	10	COM	BLACK	18	MOLJK	155±10mm	

P/N.:9PA400BY00

NOTE:

1. ALL THE LENGTH OF OUTPUT WIRES EXCLUDE HOUSING.
2. P1膠殼限用MOLEX.

UNIT:mm

MODEL NO. : FSP400-70MPE(STD001)	TITLE: ASSY	SHEET: 1 OF 1	REV:02
R&D	PE	DRAWN	DATE
INTERIOR COUNTERSIGN:	周書宇	AUG.30.2017	