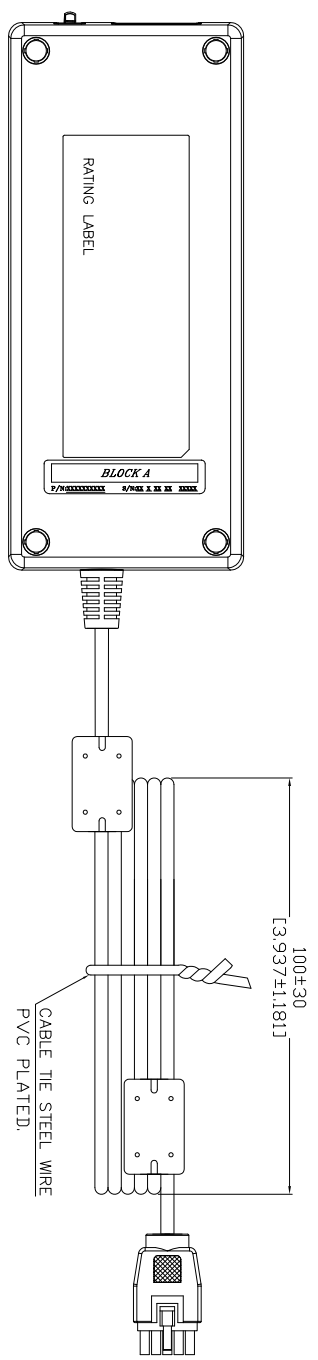
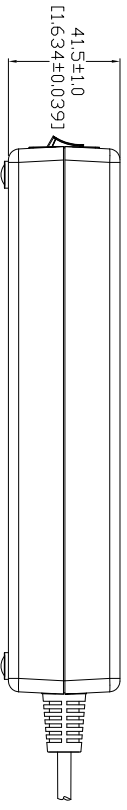
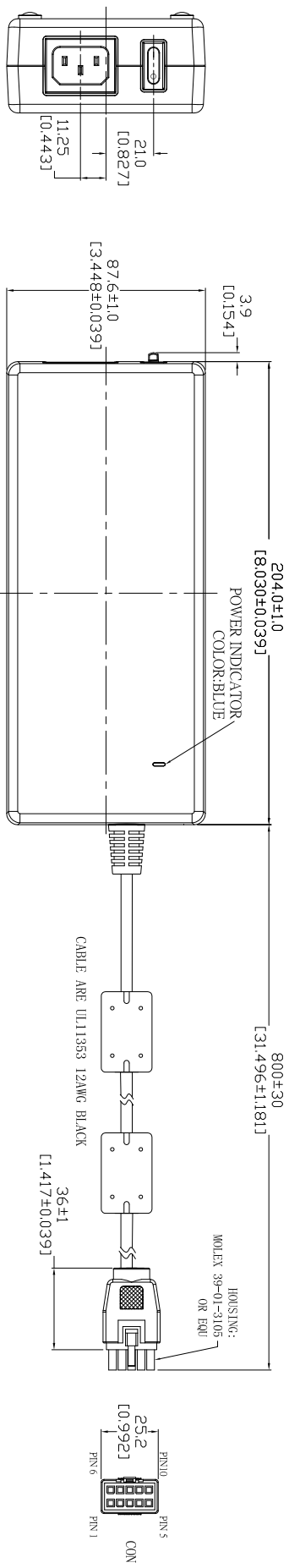


UNIT:mm[inch]

REV	修改內容
2	



CON接线方式:

DIN PLUG	POLARITY	COLOR
PIN 1--PINS	V0(+)	WHITE
PIN 6-PIN10	GND(-)	BLACK

P/N.:9NA2700500

- NOTES:
- CASE&CABLE COLOR:BLACK
 - INLET: 德盈TU-301-SP-SR015-POA (d) OR EQU
 - SWITCH: SOLTEAM MR-21S-2BB-P2 OR EQU
 - TOLERANCES: ±0.5[0.020]

MODEL NO.: FSP270-RHAN3	OUTLINE	P E	DRAWN	SHEET: 1 OF 1	REV:1
R&D(SH)			LIW	DATE	15/Dec/16'
INTERIOR COUNTERSIGN:					