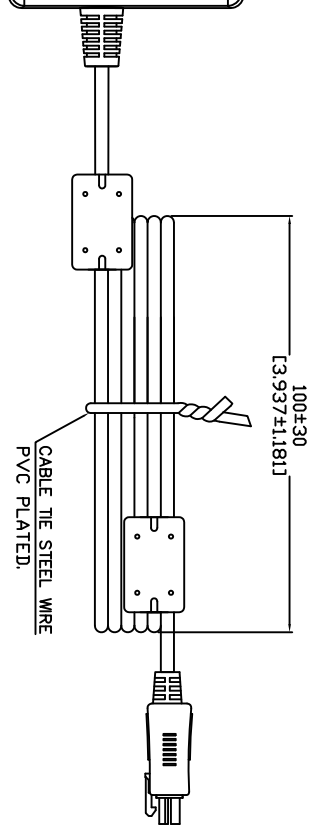
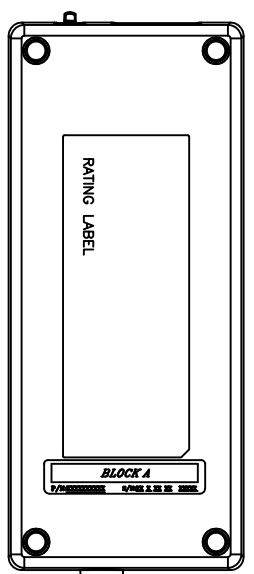
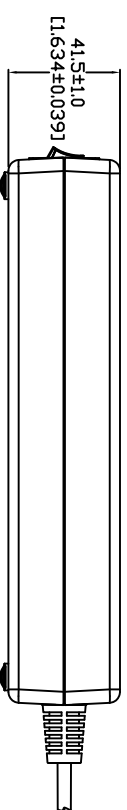
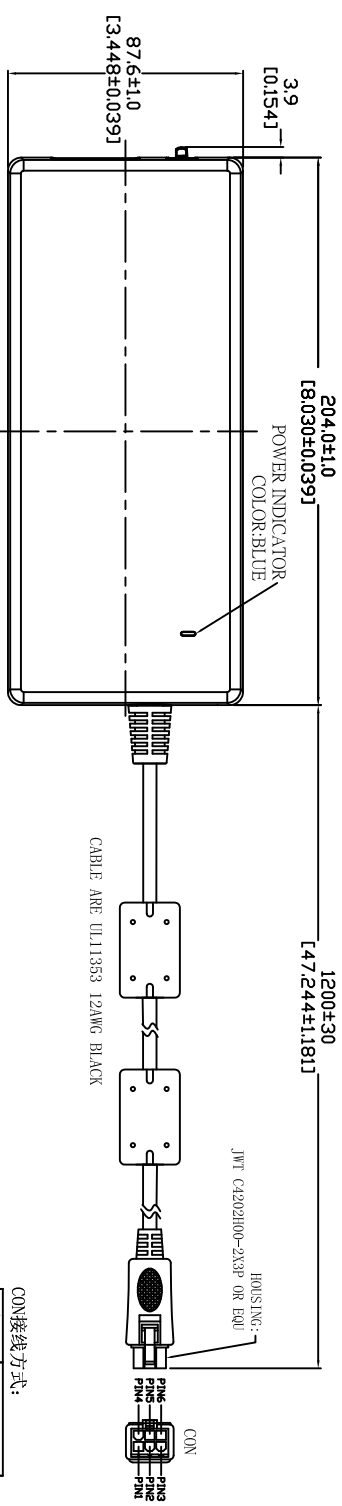
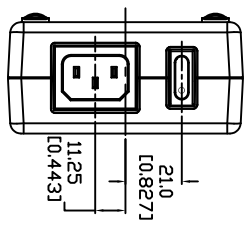


UNIT:mm[inch]

REV	修改內容
2	線材長度改為1200mm



CON接线方式:

Polarity	Pin
+	1, 2, 3
-	4, 5, 6

- NOTES:
- CASE&CABLE COLOR:BLACK
  - INLET: 德盈TU-301-SP-SR015-POA (d) OR EQU
  - SWITCH: SOLTEAM MR-21S-2BB-F2 OR EQU
  - TOLERANCES: ±0.5 [0.020]

P/N.:9NA2700100

MODEL NO.: FSP270-RBAN3	OUTLINE	P E	DRAWN	DATE
R&D(SH)			LIW	09/Jun/17'
INTERIOR COUNTERSIGN:				

SHEET: 1 OF 1 REV:2