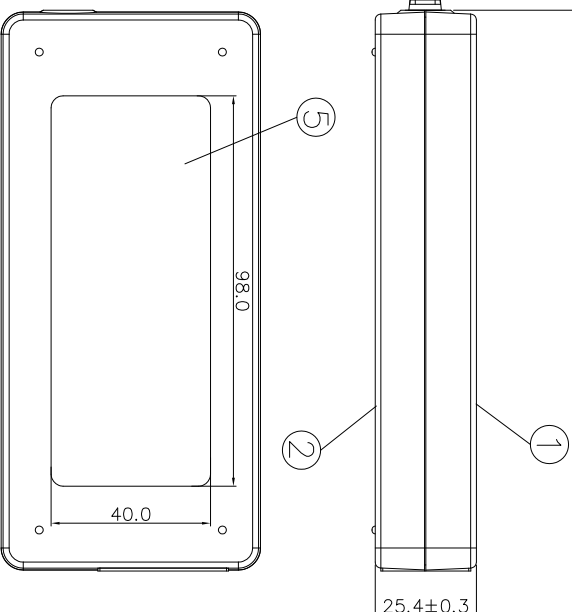


芯線	POLARITY	V0(+)	COLOR	WHITE
纏繞線		GND(-)		BLACK

ITEM	PART NAME	COLOR
1	COVER	BLACK
2	CHASSIS	BLACK
3	POWER CORD	BLACK
4	SOCKET	BLACK
5	LABEL	BLACK



THIRD ANGLE PROJECTION

DIMENSIONAL TOLERANCES

()	()	()	()
<30	0.10	0.10	0.10
30~100	±0.2	0.20	0.20
100~200	±0.4	0.40	0.40
200~300	±0.5	0.50	0.50
300~	±0.8	0.80	0.80
PERCENTAGE	0.10	0.20	0.40
XX	±0.5	0.50	0.50
XXX	±0.3	0.30	0.30

Holes : ±0.05 ANGLES : ±0.5°

P/N.: 9NA0908500

MODEL NO. :	FSP090-AABN3	TITLE:	Physical Dimension	SHEET: 1 OF 1	REV:01
R&D3 Division	PE	ME	Angela	DATE	2018/03/26
L.J	Angela				
INTERIOR COUNTERSIGN:					