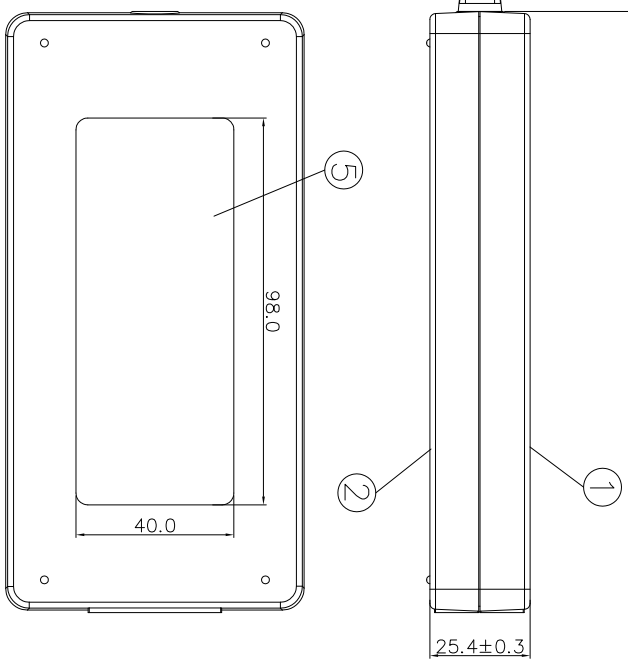


ITEM	PART NAME	COLOR
1	COVER	BLACK
2	CHASSIS	BLACK
3	POWER CORD	BLACK
4	SOCKET	BLACK
5	LABEL	BLACK



P/N.:9NA1206600

THIRD ANGLE PROJECTION		DIMENSIONAL TOLERANCES		HOLES : ±0.05		ANGLES : ±0.5°	
()	()	()	(V)	()	()	()	()
<30	±0.2	0.25~0.25	0.10~±0.2	0.1~0.2	200~300 ±0.4	0.1~0.2	±1.5
>30	±0.3	0.25~0.25	0.10~±0.2	0.2~0.3	300~400 ±0.4	0.2~0.3	±1.5
>100	±0.4	0.25~0.25	0.10~±0.2	0.3~0.4	400~500 ±0.5	0.3~0.4	±1.5
>200	±0.5	0.25~0.25	0.10~±0.2	0.4~0.5	500~800 ±0.6	0.4~0.5	±1.5
>300	±0.6	0.25~0.25	0.10~±0.2	0.5~0.6	800~OVER ±0.8	0.5~0.6	±1.5
XX	±0.5	XX	XX	XX			
XXX	±0.3	XXX	XXX	XXX			

MODEL NO. : FSP120-AAAN3		TITLE: Physical Dimension		SHEET: 1 OF 2 REV:02	
R&D3 Division	PE	ME	ABBY	DATE	
L.J	ABBY	ABBY		2018-02-22	
INTERIOR COUNTERSIGN:					

