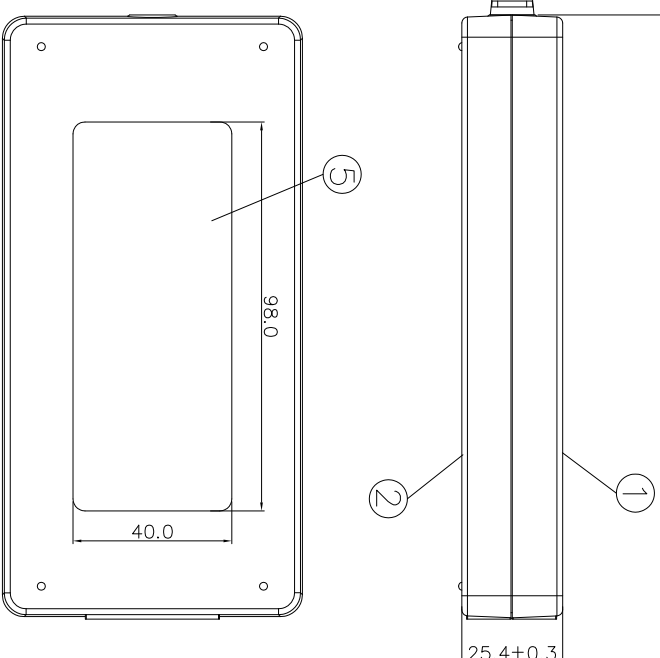


DIN PLUG	POLARITY	COLOR	
P1	VO(+)	WHITE	芯線
P2			
P3			纏繞線
P4	GND(-)	BLACK	

ITEM	PART NAME	COLOR
1	COVER	BLACK
2	CHASSIS	BLACK
3	POWER CORD	BLACK
4	SOCKET	BLACK
5	LABEL	BLACK



THIRD ANGLE PROJECTION		DIMENSIONAL TOLERANCES		HOLES : ±0.05		ANGLES : ±0.5°		
()	()	()	()	(V)	()	()	()	
<30	±0.2	PERIMETS	0P-100	±0.2	200-300	±0.4	0P-600	±1.6
>30	±0.3	DRILLS	100-200	±0.3	300-400	±0.5	800-OVER	±3.1
>100-200	±0.4	X.X	±0.5					
>200-300	±0.5	X.XX	±0.3					
>300	±0.8							

P/N.: 9NA1206900

MODEL NO. :	FSP120-AWAN3	TITLE:	Physical Dimension	SHEET: 1 OF 1	REV:01
R&D3 Division	PE	ME	ABBY	DATE	2017/1/28
L.J	ABBY	ABBY			
INTERIOR COUNTERSIGN:					