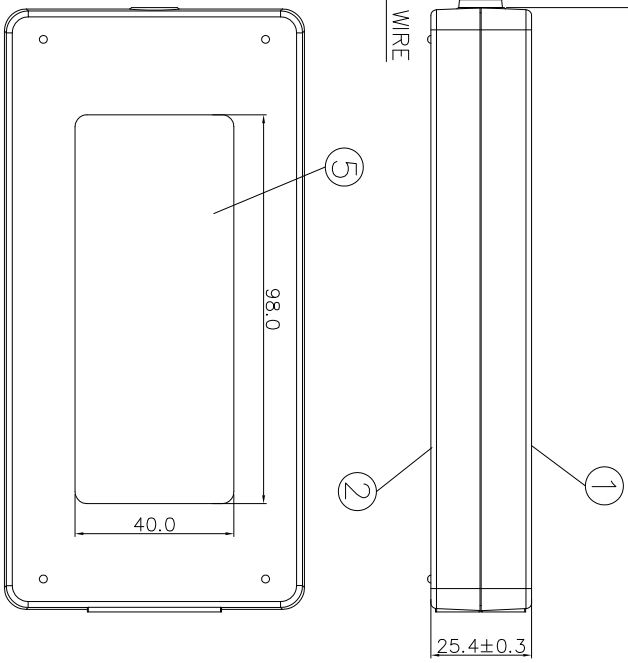


PLUG TYPE:  
4 PIN POWER MOLDING  
(PIN NICKEL PLATING)  
OR EQUIVALENT.

CABLE TIE STEEL WIRE  
PE PLATED.

DIN PLUG	POLARITY	COLOR
P1	V(+)	RED
P2		
P3		
P4	GND(-)	BLACK

ITEM	PART NAME	COLOR
1	COVER	BLACK
2	CHASSIS	BLACK
3	POWER CORD	BLACK
4	SOCKET	BLACK
5	LABEL	BLACK



P/N.:9NA1804200

THIRD ANGLE PROJECTION		DIMENSIONAL TOLERANCES		HOLES : ±0.05		ANGLES : ±0.5°	
( )	<30	±0.2	DECIMALS	0~100	±0.2	200~300	±0.4
( )	30~100	±0.3	FRACTIONS	100~200	±0.3	300~400	±0.5
( )	>100~300	±0.4	X.X	±0.5	300~400	±0.5	
( )	>300~500	±0.5	XXX	±0.3	200~250	±0.35	
( )	ABOVE 500	±0.5					

MODEL NO. : FSP180-AJAN3(STD0001)		TITLE: Physical Dimension		SHEET: 1 OF 1		REV:01	
R&D3 Division	PE	ME	DATE				
L.J	ABBY	ABBY	2017-04-07				
INTERIOR COUNTERSIGN:							