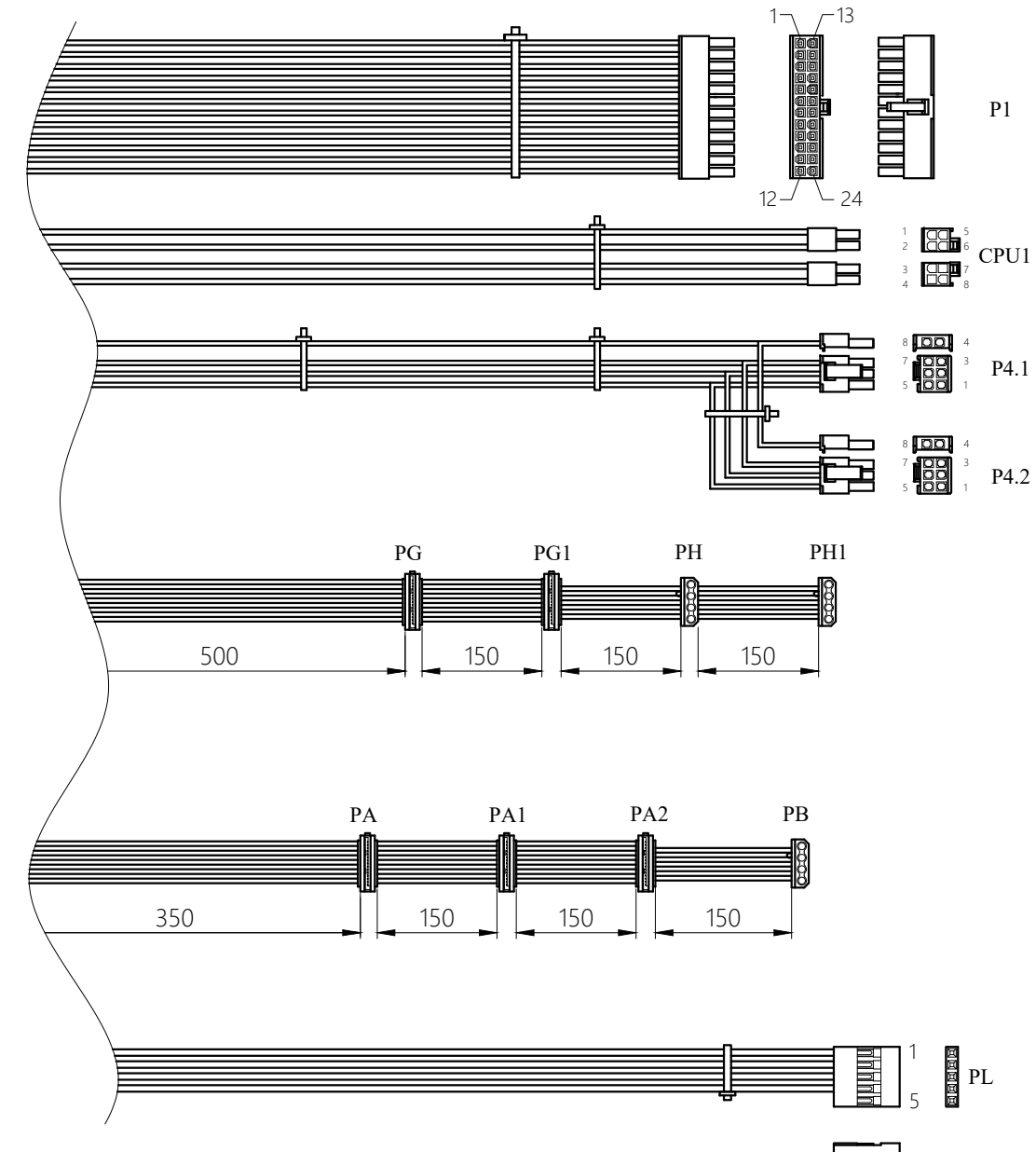
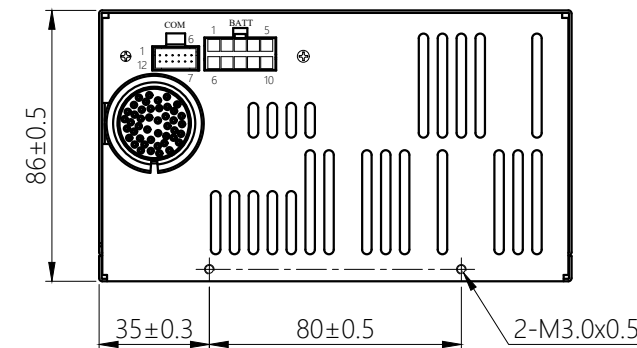
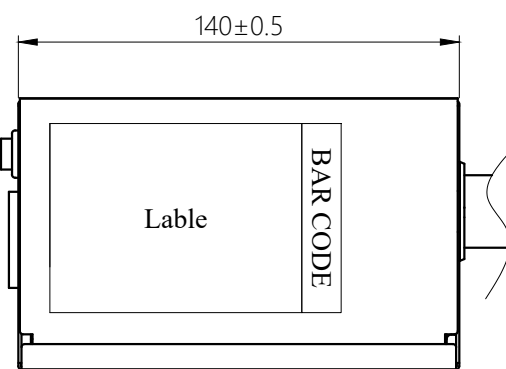
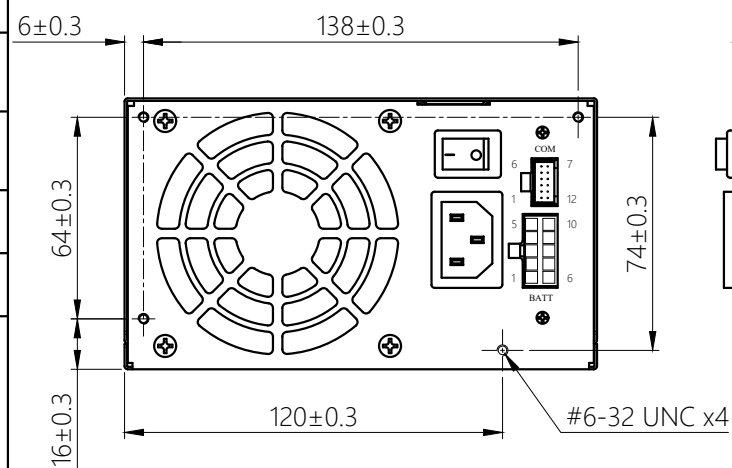
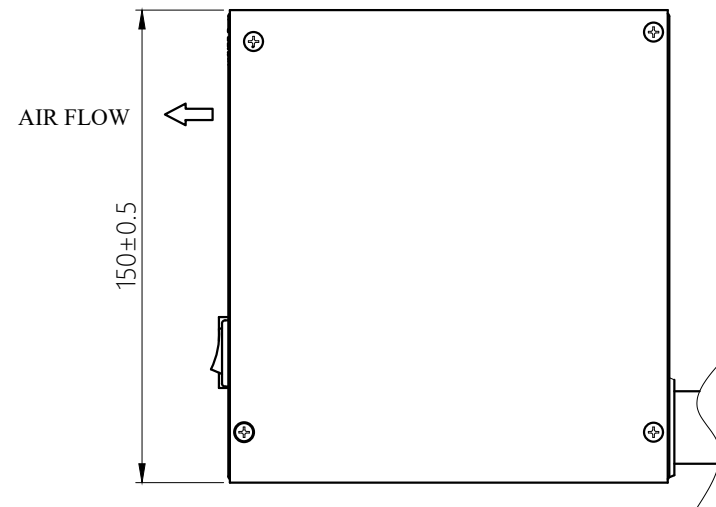
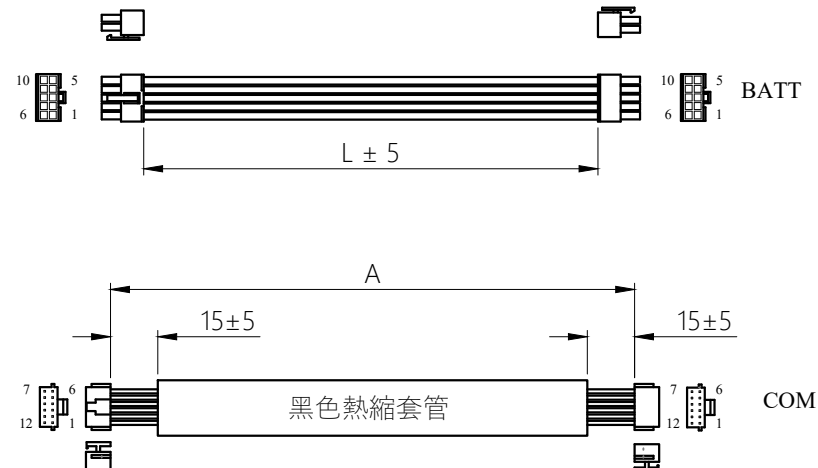


REF. ID	PIN NO.	SIGNAL	WIRE COLOR	GAUGE	CONNECTOR TYPE	CABLE LENGTH
P1	1	+3.3VDC	ORANGE	18	MOLEX 39-01-2240 or EQUIV.	500±15mm
	2	+3.3VDC	ORANGE	18		
	3	COM	BLACK	18		
	4	+5VDC	RED	18		
	5	COM	BLACK	18		
	6	+5VDC	RED	18		
	7	COM	BLACK	18		
	8	PWR-ON	GRAY	22		
	9	+5Vsb	PURPLE	18		
	10	+12V3	YELLOW/BLUE	18		
	11	+12V3	YELLOW/BLUE	18		
	12	+3.3VDC	ORANGE	18		
	13	+3.3VDC	ORANGE	18		
	14	+3.3V sense	BROWN	22		
	15	-12VDC	BLUE	22		
	16	COM	BLACK	18		
	17	PS-ON	GREEN	22		
	18	COM	BLACK	18		
	19	COM	BLACK	18		
	20	COM	BLACK	18		
	21	+5VDC	RED	18		
	22	+5VDC	RED	18		
	23	+5VDC	RED	18		
	24	COM	BLACK	18		
CPU1	1	COM	BLACK	18	WST P4-H2002K3 P4-H2002K4 or EQUIV.	550±15mm
	2	COM	BLACK	18		
	3	+12V1	YELLOW	18		
	4	+12V1	YELLOW	18		
	5	COM	BLACK	18		
	6	COM	BLACK	18		
	7	+12V1	YELLOW	18		
	8	+12V1	YELLOW	18		
PA.1	1	+12V2	YELLOW/WHITE	18	WST H2002K2B-B or EQUIV.	500±15mm
	2	+12V2	YELLOW/WHITE	18		
	3	+12V2	YELLOW/WHITE	18		
	4	COM	BLACK	18		
	5	COM	BLACK	18		
	6	COM	BLACK	18		
	7	COM	BLACK	18		
	8	COM	BLACK	18		
PA.2	1	+12V2	YELLOW/WHITE	18	WST H2002K2B-B or EQUIV.	150±10mm
	2	+12V2	YELLOW/WHITE	18		
	3	+12V2	YELLOW/WHITE	18		
	4	COM	BLACK	18		
	5	COM	BLACK	18		
	6	COM	BLACK	18		
	7	COM	BLACK	18		
	8	COM	BLACK	18		
PG	1	+3.3VDC	ORANGE	18	MOLEX 67926-0011 or EQUIV.	500±15mm
	2	COM	BLACK	18		
	3	+5V	RED	18		
	4	COM	BLACK	18		
	5	+12V3	YELLOW/BLUE	18		
PG1	1	+3.3VDC	ORANGE	18	MOLEX 67926-0011 or EQUIV.	150±10mm
	2	COM	BLACK	18		
	3	+5V	RED	18		
	4	COM	BLACK	18		
	5	+12V3	YELLOW/BLUE	18		
PH	1	+12V3	YELLOW/BLUE	18	WST P4-A10212T or EQUIV.	150±10mm
	2	COM	BLACK	18		
	3	COM	BLACK	18		
	4	+5V	RED	18		
PH1	1	+12V3	YELLOW/BLUE	18	WST P4-A10212T or EQUIV.	150±10mm
	2	COM	BLACK	18		
	3	COM	BLACK	18		
	4	+5V	RED	18		
PA	1	+3.3VDC	ORANGE	18	MOLEX 67926-0011 or EQUIV.	350±10mm
	2	COM	BLACK	18		
	3	+5V	RED	18		
	4	COM	BLACK	18		
	5	+12V3	YELLOW/BLUE	18		
PA1	1	+3.3VDC	ORANGE	18	MOLEX 67926-0011 or EQUIV.	150±10mm
	2	COM	BLACK	18		
	3	+5V	RED	18		
	4	COM	BLACK	18		
	5	+12V3	YELLOW/BLUE	18		
PA2	1	+3.3VDC	ORANGE	18	MOLEX 67926-0011 or EQUIV.	150±10mm
	2	COM	BLACK	18		
	3	+5V	RED	18		
	4	COM	BLACK	18		
	5	+12V3	YELLOW/BLUE	18		
PB	1	+12V3	YELLOW/BLUE	18	WST P4-A10212T or EQUIV.	150±10mm
	2	COM	BLACK	18		
	3	COM	BLACK	18		
	4	+5V	RED	18		
PL	1	USBV+	RED	26	WST P5-125005B or EQUIV.	600±15mm
	2	USB0-	WHITE	26		
	3	USB0+	GREEN	26		
	4	USBV-	BLACK	26		
BATT	1	BATT+	YELLOW	16	JWT C4201WR0-10NPNL	***
	2	BATT+	YELLOW	16		
	3	BATT+	YELLOW	16		
	4	SMBO	BLUE	22		
	5	SMBC	WHITE	22		
	6	BATT-	BLACK	16		
	7	BATT-	BLACK	16		
	8	BATT-	BLACK	16		
	9	BAT Insert	ORANGE	22		
	10	B/I	GRAY	22		
COM	1	AC_PAR_I	OUTPUT	***	CVILUX CI5012SL000	***
	2	SHUTDOWN_I	OUTPUT	***		
	3	BATTERYLOW_I	OUTPUT	***		
	4					
	5					
	6					
	7					
	8	GND	GND	***		
	9	PSON_N	INPUT	***		
	10	POWERBUTTON_N	INPUT	***		
	11	BEEP	OUTPUT	***		
	12	PWRBTN_N	OUTPUT	***		



NOTE:

ALL THE LENGTH OF OUTPUT WIRES EXCLUDE HOUSING.

P/N.:9PA5506100

Note:

- Battery port connector JWT C4201WR0-10NPNL mating with JWT C4202H00-2x5P.
- Communication port connector CuiLux CI5012P1HD0-LF mating with CuiLux CI5012SL000.

UNIT:mm

MODEL NO. : FSP550-70MUA		TITLE: Outline		SHEET: 1 OF 1		REV:2	
R&D		CHECK		DRAWN		DATE	
		Brian_Lee		Tim		MAR.05.2018	
INTERIOR COUNTERSIGN:							