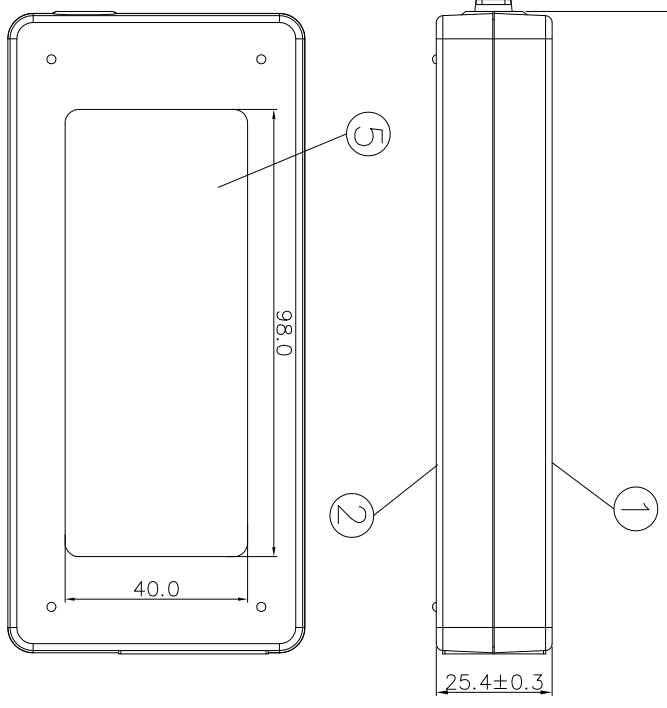


PIN	芯線	COLOR
A1 A12 B1 B12 SHELL	GND	黑
A4 A9 B4 B9	Vbus	白
A5	CC	藍

ITEM	PART NAME	COLOR
1	COVER	BLACK
2	CHASSIS	BLACK
3	CABLE	BLACK
4	SOCKET	BLACK
5	LABEL	BLACK

CABLE TIE STEEL WIRE  
PE PLATED.



P/N.: PNA1000200

DIMENSIONAL TOLERANCES			HOLES : ±0.08		ANGLES : ±0.5°	
( )	( )	( V )	( )	( )	( )	( )
<30	±0.2	PERIMETS	0~100	±0.2	200~300	±0.4
30~100	±0.3	DRILLING	100~200	±0.3	300~400	±0.5
>100~300	±0.4	XX	±0.5			
>300~500	±0.5	XXX	±0.3			
>500	±0.8					

MODEL NO. : FSP100-A1BR3	TITLE: Physical Dimension	SHEET: 1 OF 1	REV:01
R&D3 Division	PE	ME	DATE
L.J	Angela	Angela	2022/09/12
INTERIOR COUNTERSIGN:		南非	