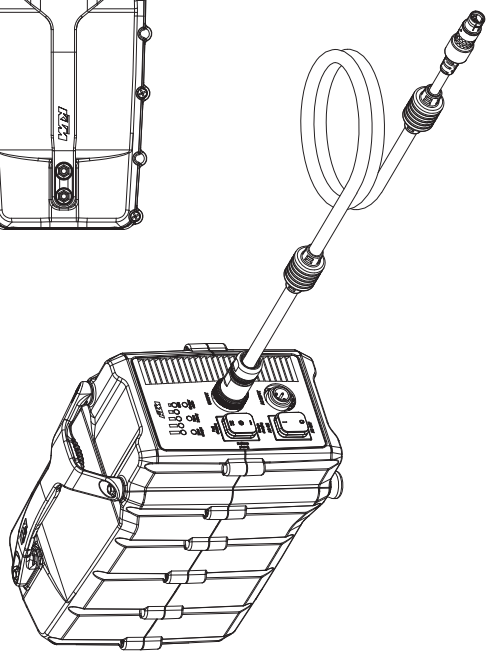
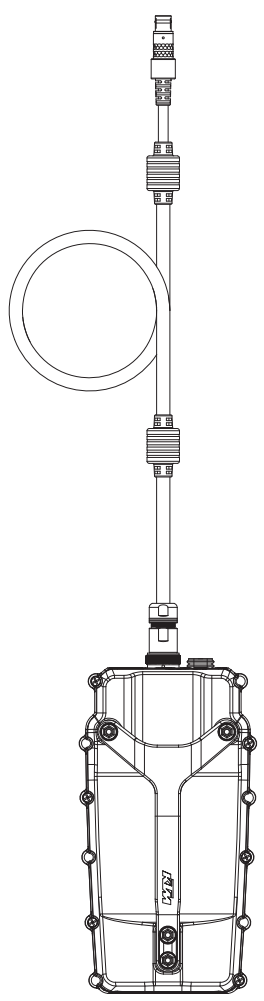


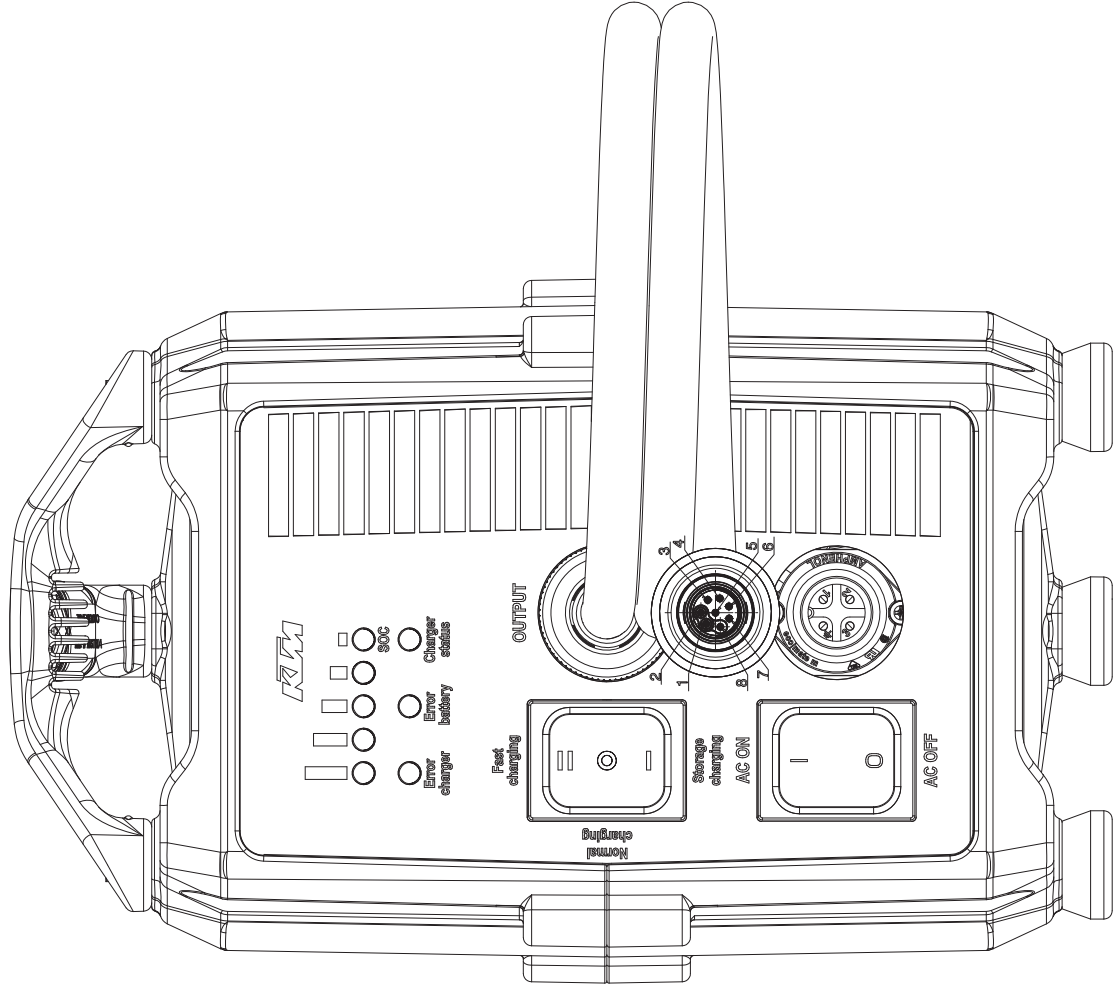
Output Charging Plug
Type: ODU-067.000.702.002.002
(KTM No: 756.292.002.000.000)



NOTES:

- 1、UNIT:mm
- 2、Product surface should be clear, without burrs oil and pressure indentation .

MODEL NO.: FSP2800C-2001	TITLE:MECHANICAL			SHEET: 1 OF 3 REV:06	
KTM PN: 701.45.074.044	APPD	CHKD	DRAW	DATE	
Index no.: b	Jun Liu	Mia Li	YO-Kang	Jan.21.2021	
FSP PN: 9PA28A0100	1 - Update Main Label and SN Label ; 2 - Update index no. from "a" to "b";				
3 - Update the DMC label index no. to "00B"					
INTERIOR COUNTERSIGN:					



Output Charging Plug(ODU-067.000.702.002.002) Pin definition	
Plug View	Pin No. Color Net
	1 Black HV+
	2 White HV GND
	3 Brown LV+
	4 Blue LV GND
	5 Yellow/Green PE
	6 Pink CAN H
	7 Gray CAN L
	8 Red Interlock

MODEL NO. : FSP2800C-2001

KTM P/N: 701.45.074.044

Index no.: b

FSP P/N: 9PA28A0100

TITLE: MECHANICAL

APPD

CHKD

Drawn: Mei-Li

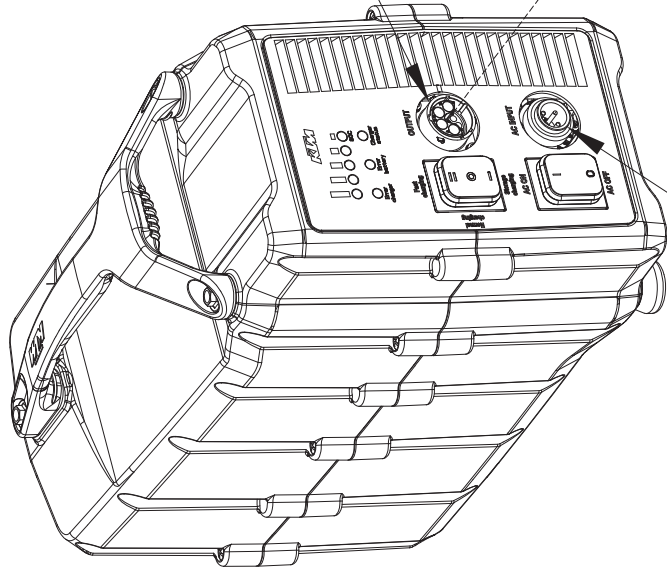
SHEET: 2 OF 3

REV:06

DATE

Jan.21,2021

INTERIOR COUNTERSIGN:



Output Receptacle
Type: Amphenol-RT001609PN03

Output Cable Plug
Type: Amphenol-RT061609SNH03

Input Receptacle
Type: Amphenol C016 20C003 100 12

MODEL NO. : FSP2800C-2001	TITLE: MECHANICAL	SHEET: 3 OF 3	REV:06
KTM PN.: 701,45,074,044	APPD	CHKD	DRAW
Index no.: b	Jun Liu	Mia Li	YO Wang
FSP PN.: 9FA28A0100			DATE
			Jan.21.2021
INTERIOR COUNTERSIGN:			