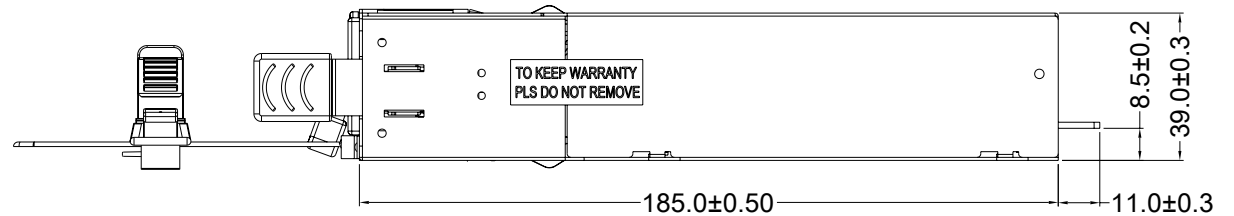
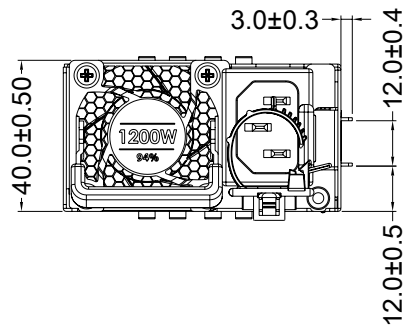
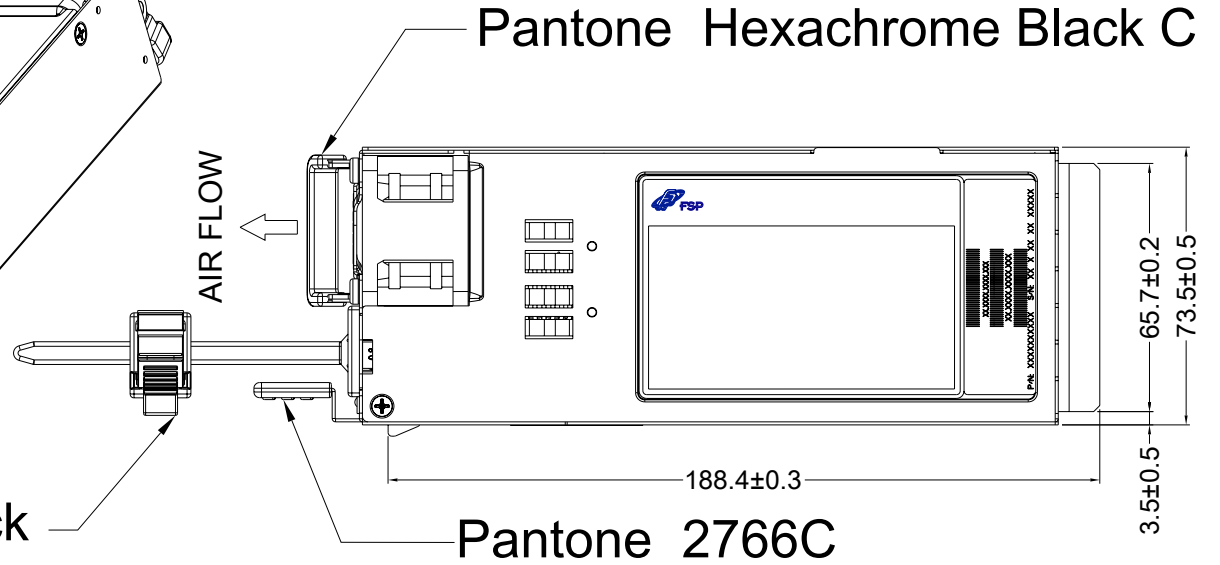


Wire Mount Black



P/N.:9PA12A2000

NOTE:

1.黑色塑膠線扣出貨時,不需組裝,依生產注意事項放入指定包材位置

UNIT:mm

MODEL NO.:FSP1200-20FM(STD0001)		TITLE:OUTLINE		SHEET: 1 OF 1	REV:01
RD12	PE	CHECKED	DESIGN	DRAWN	DATE
				Joe	Nov.23.2018