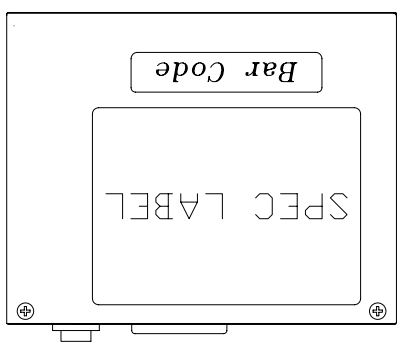
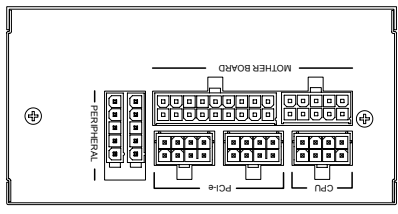
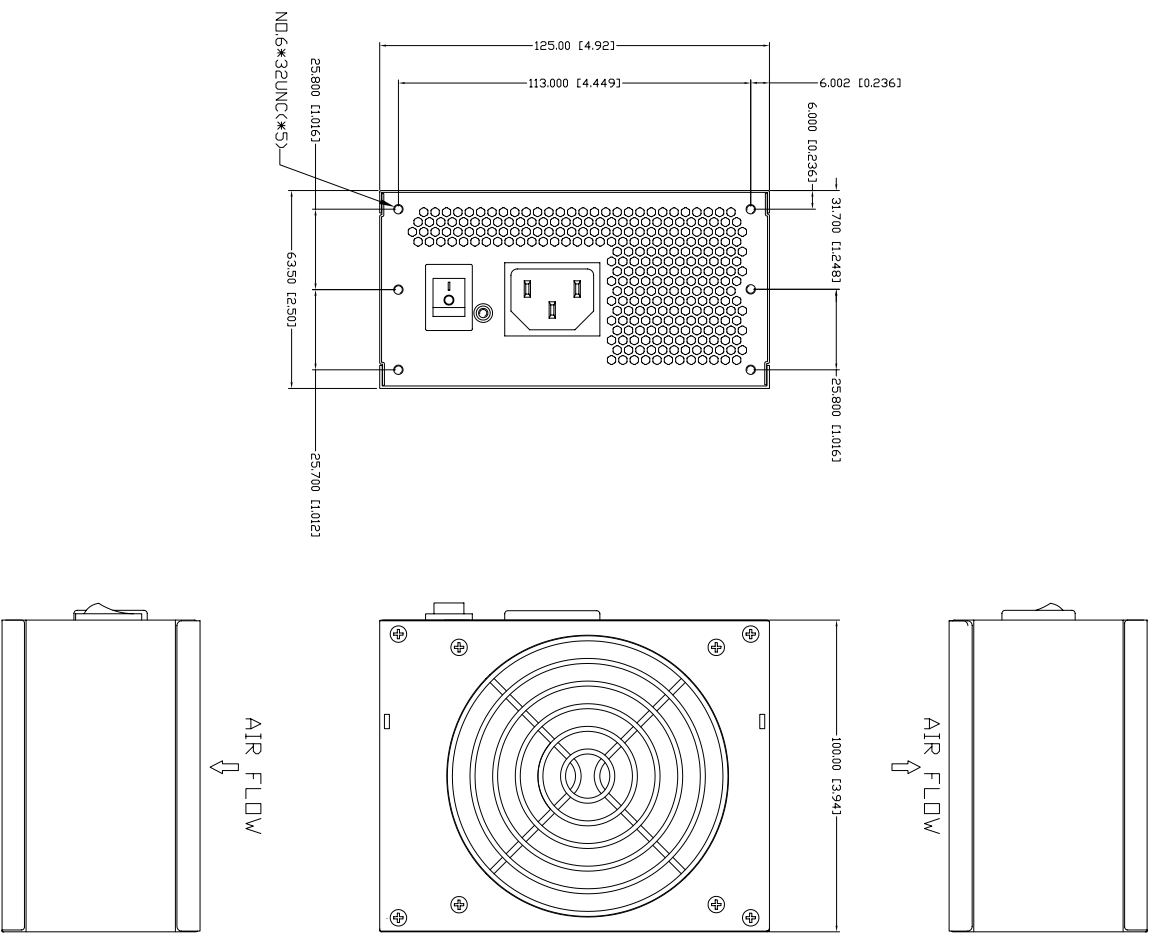


3

圖面修正

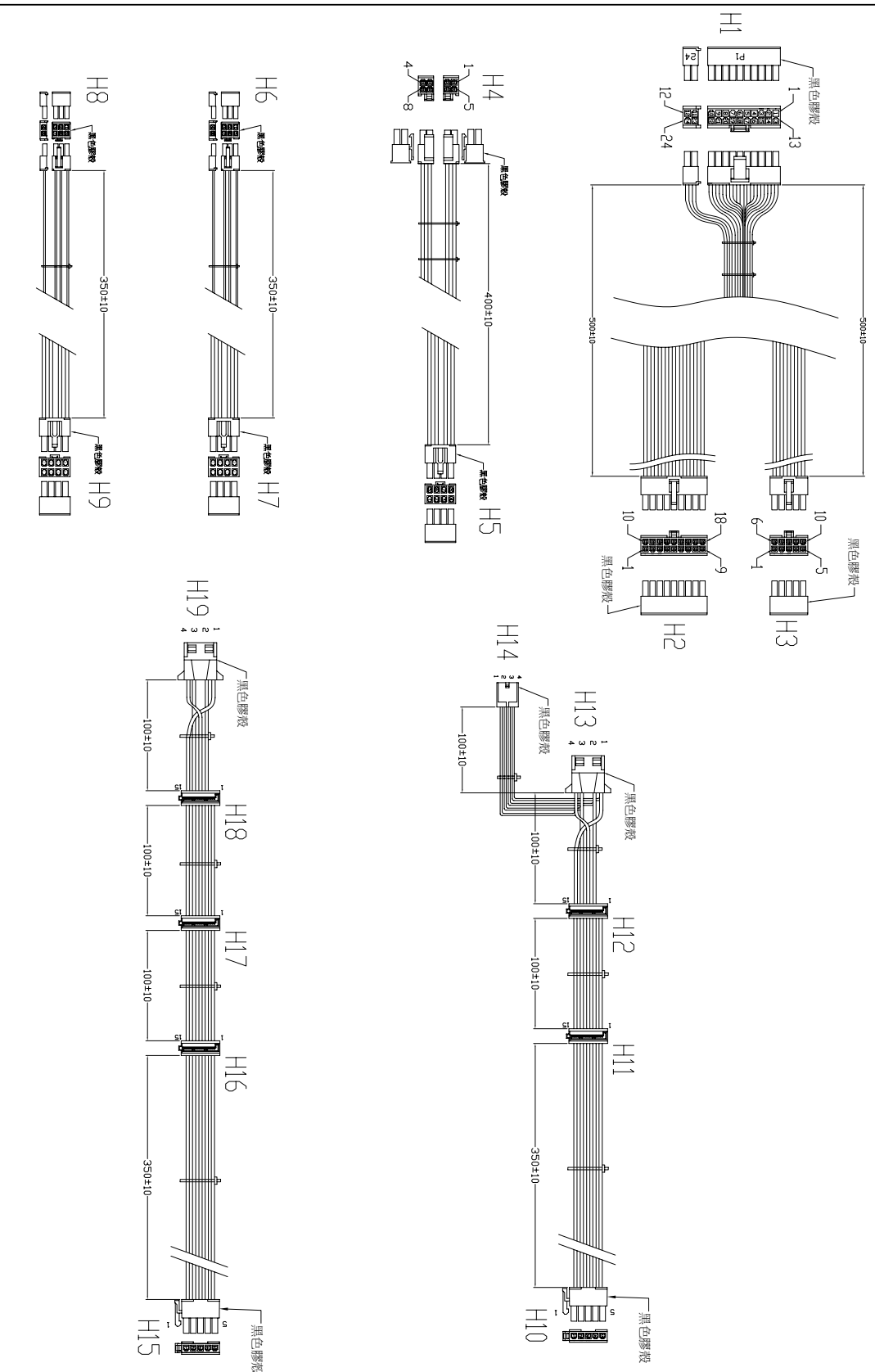


- NOTE:
1. ALL THE LENGTH OF OUTPUT WIRES EXCLUDE HOUSING.
  2. 公差: .X=±1[0.04]、.XX=±0.5 [0.02]、.XXX=±0.25 [0.01].

UNIT:mm [inch]

P/N.:9PA6507400

MODEL NO. : FSP650-57SAB(STPD0001)	TITLE: BOTTOM CASE	SHEET: 1 OF 1	REV:03
R&D(2)	PE	DRAWN	DATE
		周書宇	MAR.15.2019
INTERIOR CONVERSION:			



REF. ID.	PN	SIGNAL	WIRE COLOR	GAUGE	CONNECTOR TYPE	CABLE LENGTH
P1	1	+3.3VDC	ORANGE	18	VST	500±15mm
	2	+3.3VDC	ORANGE	18	P4-VST	
	3	+3.3V sense	ORANGE	22	1420mk11b-B	
	4	+5V	BLACK	18	+P4-1420mk11b-B or EQUIV.	
	5	COM	BLACK	18		
	6	+5V	RED	18		
	7	COM	RED	22		
	8	PW-DK	GRAY	18	③	
	9	+5V sense	PURPLE	18		
	10	+12V	YELLOW	18		
P24	11	+12V	YELLOW	18		
	12	+3.3VDC	ORANGE	18		
	13	+3.3VDC	ORANGE	18		
	14	-12VDC	BLUE	18	③	
	15	COM	BLACK	18		
	16	PS-DN	GREEN	22		
	17	COM	BLACK	18		
	18	COM	BLACK	18		
	19	COM	BLACK	18		
	20	COM	BLACK	18		
P4	21	+5V	RED	18		
	22	+5V	RED	18		
	23	+5V	RED	18		
	24	COM	BLACK	18		
P6	1	COM	BLACK	18	VST	400±15mm
	2	COM	BLACK	18	P4-1420mk3b-B	
	3	COM	BLACK	18	+P4-1420mk4b-B or EQUIV.	
	4	COM	BLACK	18		
P8	5	+12V	YELLOW	18		
	6	+12V	YELLOW	18		
	7	+12V	YELLOW	18		
	8	+12V	YELLOW	18		
P11	1	+12V	YELLOW	18	WST	350±15mm
	2	+12V	YELLOW	18	P3-1420mk2	
	3	+12V	YELLOW	18	K12A-B or EQUIV.	
	4	COM	BLACK	18		
P16	1	+3.3VDC	ORANGE	18	MODLEX SD-67926	100±10mm
	2	COM	BLACK	18		
	3	+5V	RED	18		
	4	+12V	YELLOW	18		
P12	1	+3.3VDC	ORANGE	18	MODLEX SD-67926	100±10mm
	2	COM	BLACK	18		
	3	+5V	RED	18	-0011 or EQUIV.	
	4	COM	BLACK	18		
P13	1	+12V	YELLOW	18		100±10mm
	2	COM	BLACK	18	VST	
	3	COM	BLACK	18	P4-A10202 or EQUIV.	
	4	+5V	RED	18		
P14	1	+5V	RED	22	AMP	100±10mm
	2	COM	BLACK	22	171822-4 or EQUIV.	
	3	COM	BLACK	22		
	4	+12V	YELLOW	22		

P/N.: 9PA6507400

UNIT:mm

MODEL NO.: FSP650-57SAB

TITLE: ASSY

SHEET: 2 OF 2 REV:03