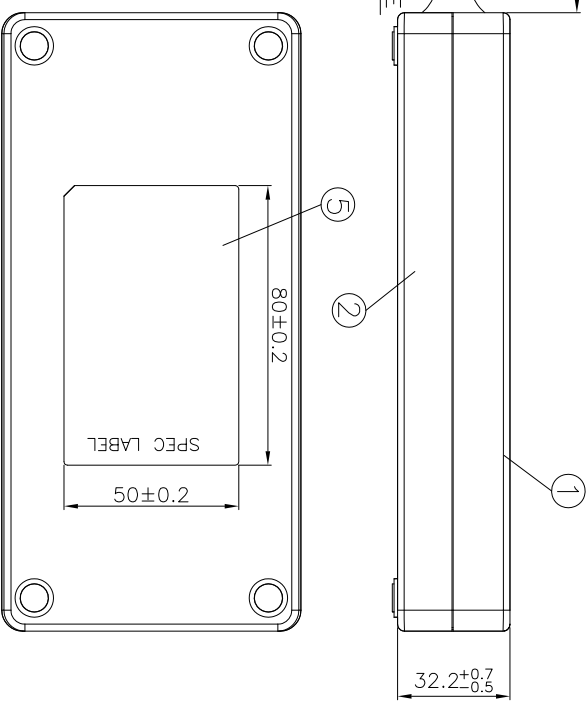


DIN PLUG	POLARITY	WIRE GAUGE	COLOR
PIN1	VO(+)	18AWG	WHITE
PIN2	GND(-)	18AWG	BLACK
PIN3			
PIN4			
PIN5			
PIN6	NTC	26AWG	BROWN
PIN7			

ITEM	PART NAME	COLOR
1	COVER	BLACK
2	CHASSIS	BLACK
3	DC CABLE	BLACK
4	SOCKET	BLACK
5	LABEL	BLACK



P/N.:9NA16800200

THIRD ANGLE PROJECTION		DIMENSIONAL TOLERANCES		HOLES : ±0.05		ANGLES : ±0.5°	
( )	<30	( )	PERIMAS	( V )	UP-100	( )	UP-600
	30~100		UP-100		100~200		200~300
	>100-300		XX : ±0.5		300~400		400~500
	>300-500		XXX: ±0.3		500~800		800~OTHER
					800~OTHER		±0.1

MODEL NO. : FSP168-10S4AC8H	TITLE : Physical Dimension	SHEET: 1 OF 1	REV:01
R&D3 Division	PE Angela	ME Angela	DATE 2020/10/19
INTERIOR COUNTERSIGN:			