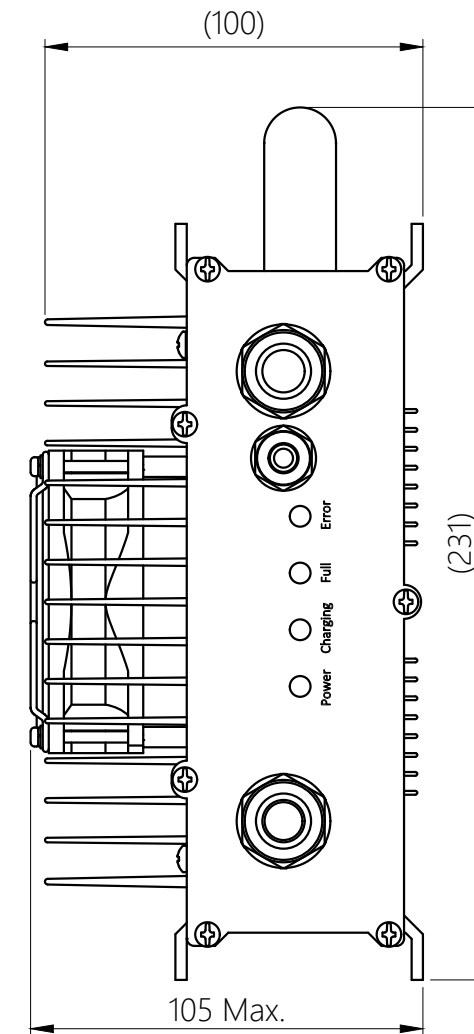
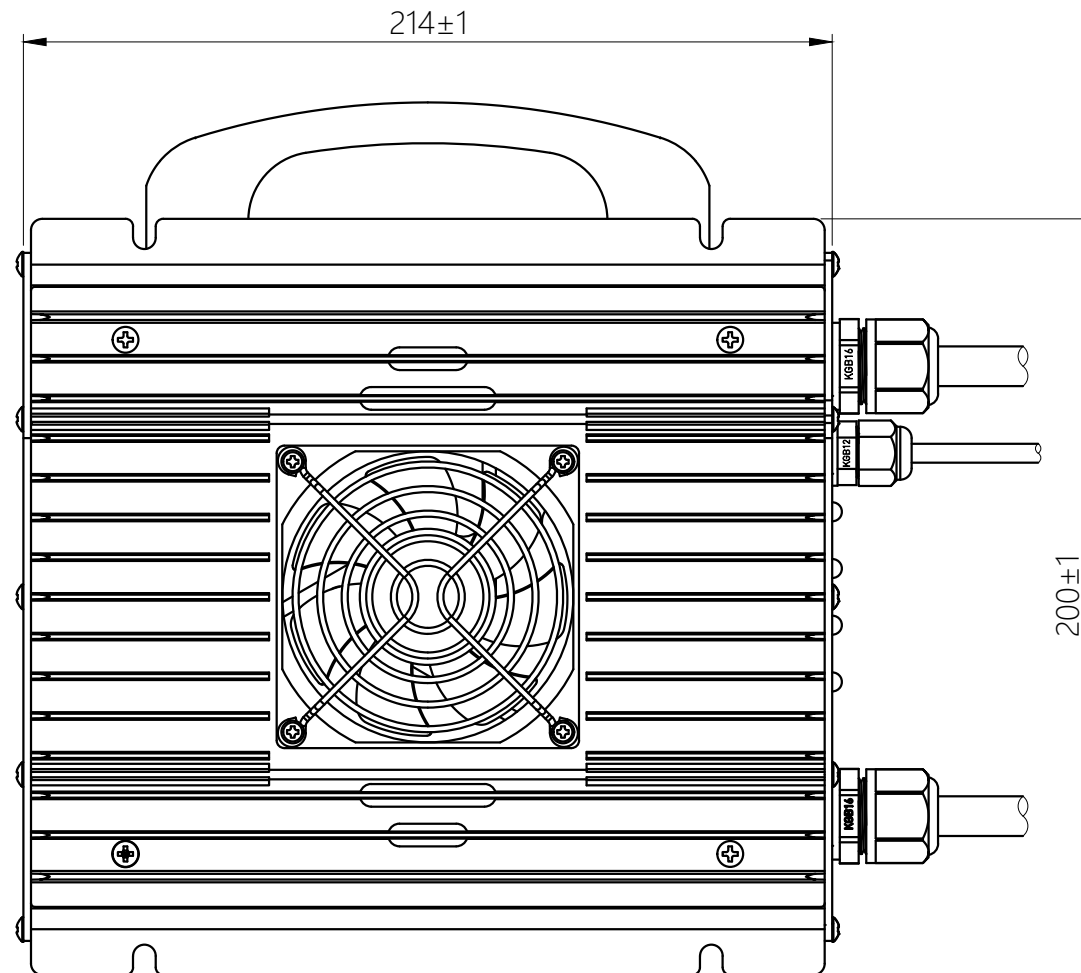
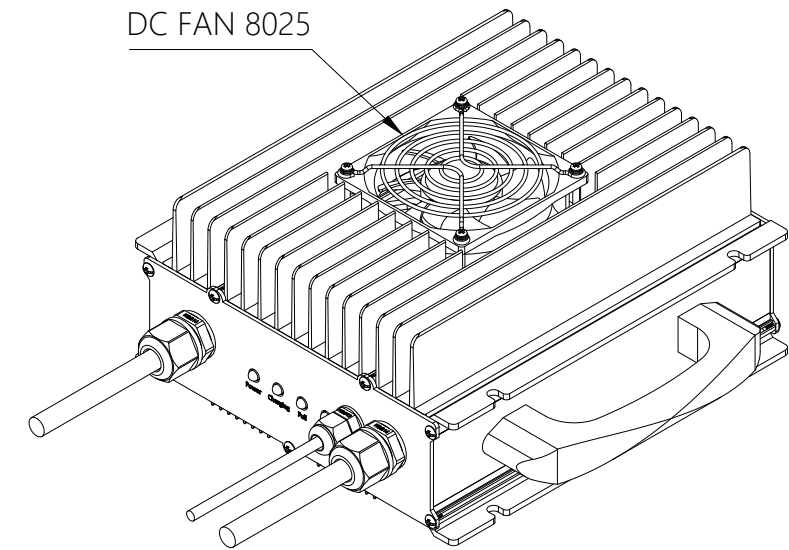
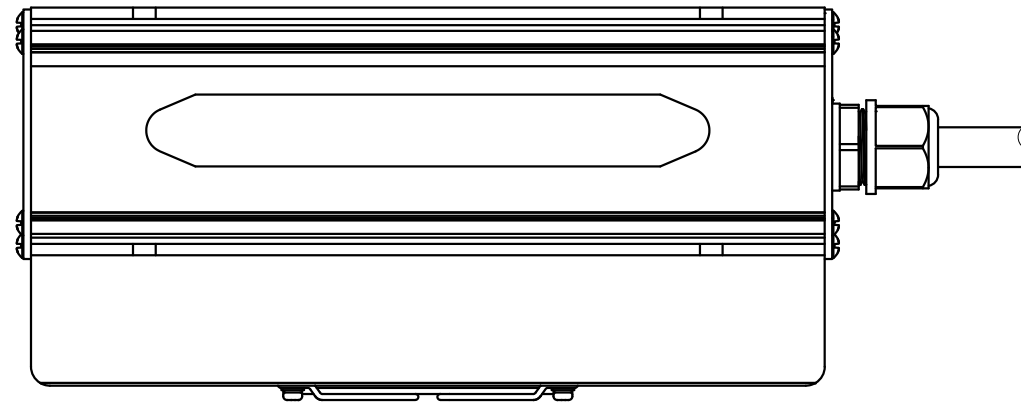
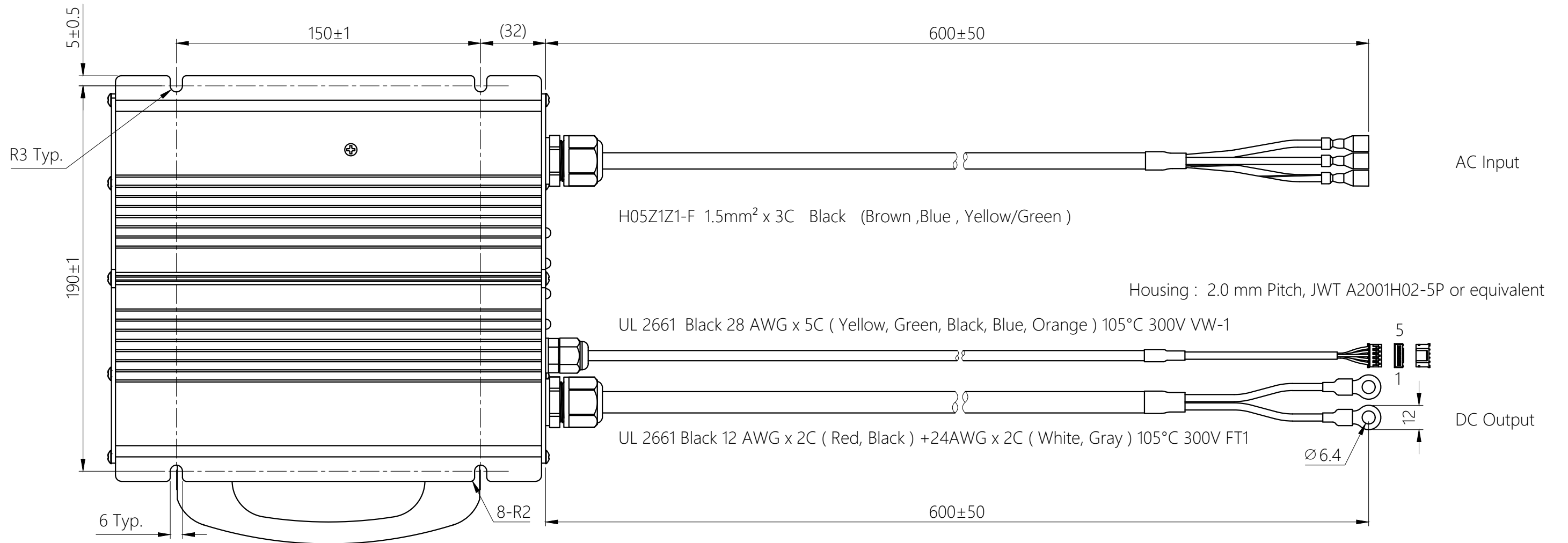


Item Number	Revise Version	Modify Description	Editor	Remark
1				



DIMENSIONAL TOLERANCES		HOLES : ±0.05 ANGLES : ±0.5°		MODEL NO.: FSP1100-1UAC01		TITLE: OUTLINE DRAWING		SHEET 1 of 2		REV. 暫
UP~100: ±0.2	250~300: 4			TOOLING-Number:		R&D (RDTE)		CHECK		PE
100~150: ±0.25	300~350: ±0.45					<i>Albert</i>		Shine		DATE
150~200: ±0.3	350~400: ±0.5					SCALE		UNIT	mm	FORMAT
200~250: ±0.35						1 : 2				A3

Item Number	Revise Version	Modify Description	Editor	Remark
1				



CAN BUS Communication

CONN. NO.	FUNCTION	COLOR	AWG
PIN 1	CAN_H	Yellow	28
PIN 2	CAN_L	Green	28
PIN 3	GND	Black	28
PIN 4	INTERLOCK	Blue	28
PIN 5	WAKE_UP_BAT	Orange	28

DIMENSIONAL TOLERANCES		HOLES : ±0.05 ANGLES : ±0.5°		MODEL NO.: FSP1100-1UAC01		TITLE: OUTLINE DRAWING		SHEET 2 of 2		REV. 暫
UP~100: ±0.2	250~300: 4			TOOLING-Number:	R&D (RDTE)	CHECK	PE	DATE		
100~150: ±0.25	300~350: ±0.45			<i>Albert</i>		Shine		2021/05/04		
150~200: ±0.3	350~400: ±0.5			SCALE	1:2	UNIT	mm	FORMAT	A3	
200~250: ±0.35										