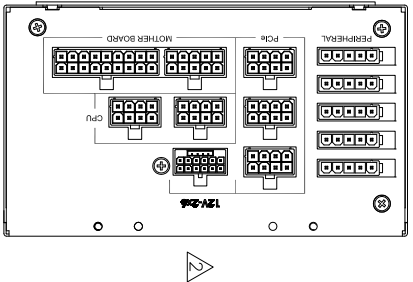
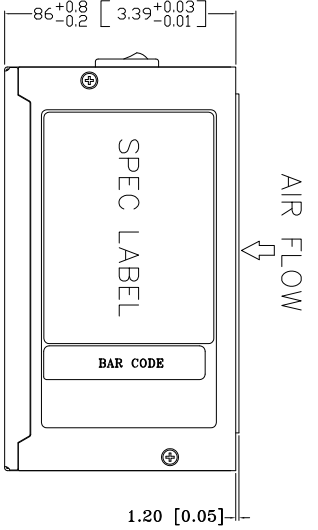
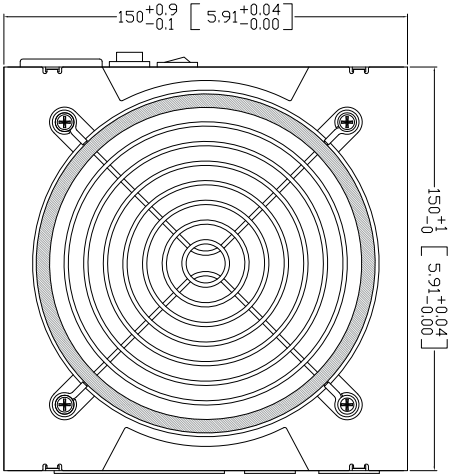
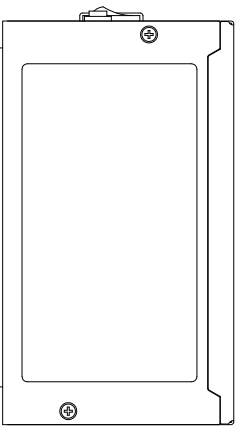


SCALE: 2/1



1	規格	規格
2	EC-00043589	規格

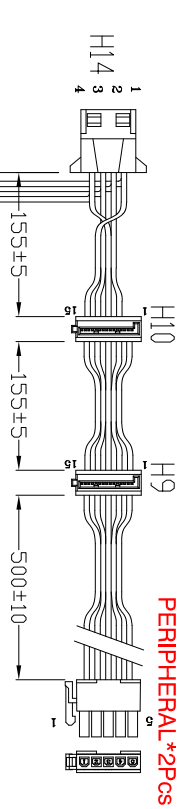
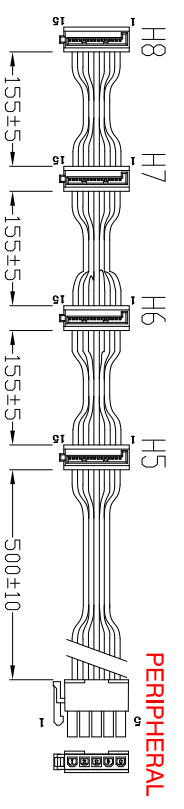
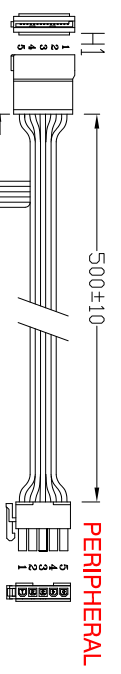
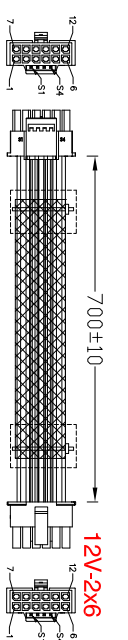
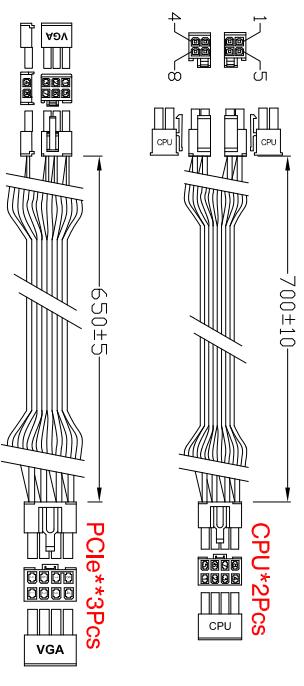
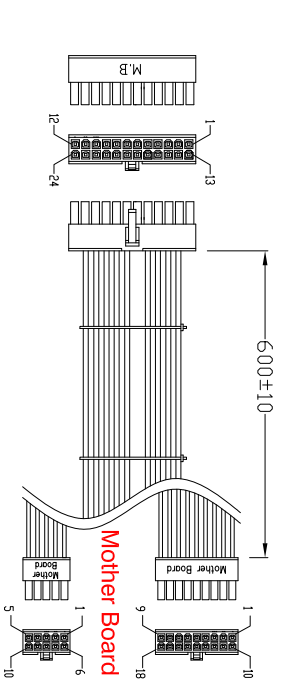
P/N.:9PA8508100

MODEL NO.: FSP850-57ACA	TITLE: ASSY	SHEET: 1 OF 2	REV:02
-------------------------	-------------	---------------	--------

- NOTE:
1. ALL THE LENGTH OF OUTPUT WIRES EXCLUDE HOUSING.
 2. 所有線材均使用UL2468黑線(M.B.、12V-2x6除外)、CONNECT全為黑色。
 3. 公差: .X=±1[0.04]、.XX=±0.5 [0.02]、.XXX=±0.25 [0.01]。

UNIT:mm [inch]

R&D(1)	PE	DRAWN	DATE
			2/16/2024



1	+12V	BLACK	16	WST
2	+12V	BLACK	16	PD12-
3	+12V	BLACK	16	130006Fs#4Z-B
4	+12V	BLACK	16	or EQUIV.
5	+12V	BLACK	16	
6	+12V	BLACK	16	
7	COM	BLACK	16	
8	COM	BLACK	16	
9	COM	BLACK	16	
10	COM	BLACK	16	
11	COM	BLACK	16	
12	COM	BLACK	16	
13	COM	BLACK	16	
14	COM	BLACK	16	
15	COM	BLACK	16	
16	COM	BLACK	16	
17	COM	BLACK	16	
18	COM	BLACK	16	
19	COM	BLACK	16	
20	COM	BLACK	16	
21	COM	BLACK	16	
22	COM	BLACK	16	
23	COM	BLACK	16	
24	COM	BLACK	16	

1	+3.3V	BLACK	18	MOLEX
2	COM	BLACK	18	SD-67926-0011
3	+5V	BLACK	18	or EQUIV.
4	COM	BLACK	18	
5	+12V	BLACK	18	
6	+12V	BLACK	18	
7	COM	BLACK	18	
8	COM	BLACK	18	
9	COM	BLACK	18	
10	COM	BLACK	18	
11	COM	BLACK	18	
12	COM	BLACK	18	
13	COM	BLACK	18	
14	COM	BLACK	18	
15	COM	BLACK	18	
16	COM	BLACK	18	
17	COM	BLACK	18	
18	COM	BLACK	18	
19	COM	BLACK	18	
20	COM	BLACK	18	
21	COM	BLACK	18	
22	COM	BLACK	18	
23	COM	BLACK	18	
24	COM	BLACK	18	

REF. ID.	PIN NO.	SIGNAL	WIRE COLOR	GAUGE	CONNECTOR TYPE
M.B	1	+3.3VDC	BLACK	16	WST
M.B	2	+3.3VDC	BLACK	16	P20-
M.B	3	COM	BLACK	16	142002K11D-B
M.B	4	+5V	BLACK	16	+ P4-
M.B	5	COM	BLACK	16	142002K11D-B
M.B	6	+5V	BLACK	16	or EQUIV.
M.B	7	+5V Sense	BLACK	22	
M.B	8	COM	BLACK	16	
M.B	9	COM Sense	BLACK	22	
M.B	10	PW-OK	BLACK	22	
M.B	11	+5Vsb	BLACK	16	
M.B	12	+12V	BLACK	16	
M.B	13	+12V Sense	BLACK	22	
M.B	14	+3.3VDC	BLACK	16	
M.B	15	+3.3V Sense	BLACK	22	
M.B	16	-12VDC	BLACK	22	
M.B	17	COM	BLACK	16	
M.B	18	PS-ON	BLACK	22	
M.B	19	COM	BLACK	16	
M.B	20	COM Sense	BLACK	22	
M.B	21	COM	BLACK	16	
M.B	22	COM	BLACK	16	
M.B	23	COM	BLACK	16	
M.B	24	COM	BLACK	16	
CPU	1	COM	BLACK	18	WST
CPU	2	COM	BLACK	18	P4-
CPU	3	COM	BLACK	18	142002K3B
CPU	4	COM	BLACK	18	-B4
CPU	5	COM	BLACK	18	+
CPU	6	+12V	BLACK	18	P4-
CPU	7	+12V	BLACK	18	-B4
CPU	8	+12V	BLACK	18	142002K4B
CPU	9	+12V	BLACK	18	or EQUIV.
CPU	10	+12V	BLACK	16	
CPU	11	+12V	BLACK	16	WST
CPU	12	+12V	BLACK	16	P6-142002
CPU	13	+12V	BLACK	16	K21-B6
CPU	14	COM	BLACK	16	+
CPU	15	COM	BLACK	16	P2-142002
CPU	16	COM	BLACK	16	K13B-B
CPU	17	COM	BLACK	16	or EQUIV.
CPU	18	COM	BLACK	16	
CPU	19	COM	BLACK	16	
CPU	20	COM	BLACK	16	
CPU	21	COM	BLACK	16	
CPU	22	COM	BLACK	16	
CPU	23	COM	BLACK	16	
CPU	24	COM	BLACK	16	
VGA	1	+3.3V	BLACK	18	MOLEX
VGA	2	COM	BLACK	18	SD-67562-001
VGA	3	+5V	BLACK	18	or EQUIV.
VGA	4	COM	BLACK	18	
VGA	5	COM	BLACK	18	
VGA	6	COM	BLACK	18	
VGA	7	COM	BLACK	18	
VGA	8	COM	BLACK	18	
VGA	9	COM	BLACK	18	
VGA	10	COM	BLACK	18	
VGA	11	COM	BLACK	18	
VGA	12	COM	BLACK	18	
VGA	13	COM	BLACK	18	
VGA	14	COM	BLACK	18	
VGA	15	COM	BLACK	18	
VGA	16	COM	BLACK	18	
VGA	17	COM	BLACK	18	
VGA	18	COM	BLACK	18	
VGA	19	COM	BLACK	18	
VGA	20	COM	BLACK	18	
VGA	21	COM	BLACK	18	
VGA	22	COM	BLACK	18	
VGA	23	COM	BLACK	18	
VGA	24	COM	BLACK	18	
H1	1	+3.3V	BLACK	18	MOLEX
H1	2	COM	BLACK	18	SD-67562-001
H1	3	+5V	BLACK	18	or EQUIV.
H1	4	COM	BLACK	18	
H1	5	COM	BLACK	18	
H4	1	+12V	BLACK	18	
H4	2	+12V	BLACK	18	
H4	3	COM	BLACK	18	
H4	4	COM	BLACK	18	
H4	5	COM	BLACK	18	
H4	6	COM	BLACK	18	
H4	7	COM	BLACK	18	
H4	8	COM	BLACK	18	
H4	9	COM	BLACK	18	
H4	10	COM	BLACK	18	
H4	11	COM	BLACK	18	
H4	12	COM	BLACK	18	
H4	13	COM	BLACK	18	
H4	14	COM	BLACK	18	
H4	15	COM	BLACK	18	
H4	16	COM	BLACK	18	
H4	17	COM	BLACK	18	
H4	18	COM	BLACK	18	
H4	19	COM	BLACK	18	
H4	20	COM	BLACK	18	
H4	21	COM	BLACK	18	
H4	22	COM	BLACK	18	
H4	23	COM	BLACK	18	
H4	24	COM	BLACK	18	

UNIT:mm [inch]

MODEL NO.: FSP850-57ACA

TITLE: ASSY

SHEET: 2 OF 2 REV:02

P/N.:9PA8508100